

Electronic Heating Thermostat

- ✓ Rocker-switch design, simple, visual and reliable.
- ✓ Friendly interactive experience and temperature controlled easily.
- ✓ Cambered-surface design, elegant and beautiful.
- ✓ Heating state can be indicated by LED, visual and friendly.
- ✓ Dual mode (internal sense-control and outer sense-limit) is supported, energy-efficient and practical. (This function is ordered separately)

Technical data

| | |
|-------------------------|---|
| Voltage | AC230V±10%, 50~60Hz |
| Power Consumption | 1W MAX |
| Setting Range | 5~40°C |
| Outer-limit Temperature | 50°C by default |
| Switching Deviation | ±0.5°C |
| Ambient Temperature | -5~50°C |
| Protection Grade | IP20 |
| Housing Material | Anti-flammable PC |
| Floor Sensor | Lead wire length is 3m (ordered separately) |



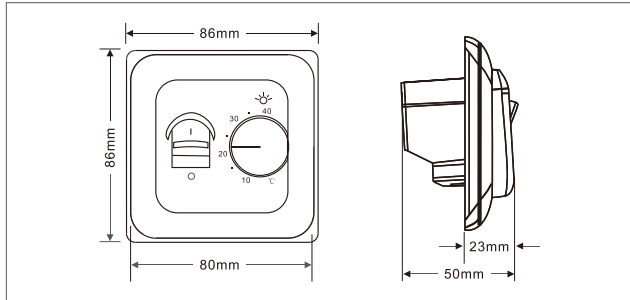
Electronic Heating Thermostat

This type of electronic thermostat is mounting in standard wall box. The thermostat is adjustable to required temperature from 5 to +40° C. The lit LED shows that the heating state is on, the thermostat is recommended for control of electric heating devices and on/off value actuator used in water-based heating systems.

Selection Table

| Model | Current | Sensor | Application |
|-------|---------|----------------------------------|---|
| 703 | 3A | built-in sensor | for control of electro-thermal actuator |
| 716 | 16A | floor sensor | for control of electric heating devices |
| 726 | 16A | built-in sensor | |
| 736 | 16A | built-in sensor and floor sensor | |

Dimension



Mounting of Floor Sensor

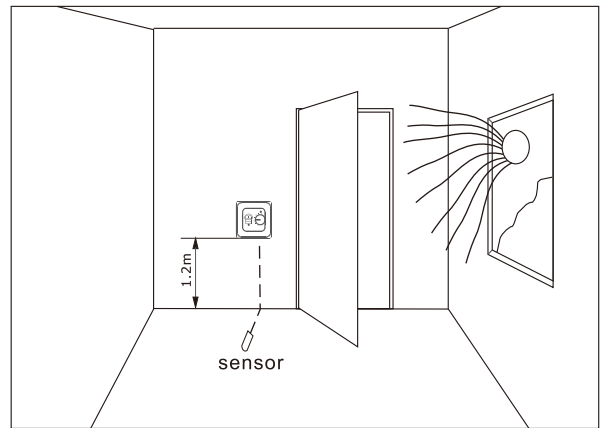
Floor sensor should be placed in installation pipe which is embedded in floor, the pipe is thickened in the end and placed as high as possible in the concrete layer. Sensor cable may be extended up to 50 cm with separate cable for power current. Two conductors in a multi-conducting cable, which e.g. is used for supply of heating cable, can not be used. Voltage signals, which may disturb the function of the thermostat, may occur. If the cable is used with screen, the screen may not be connected to the ground, but must be connected to terminal 7, the best installation is attained with a separate cable for the sensor, which is then mounted in a separate conduit.

Placement of Thermostat

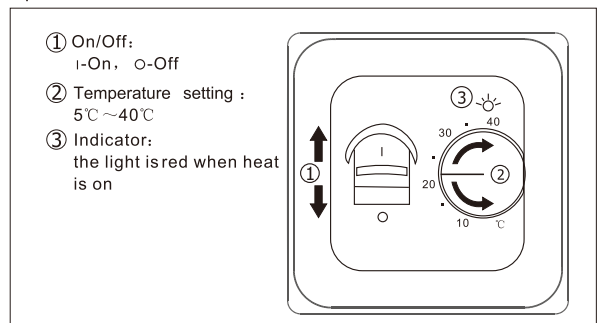
Thermostat is to be mounted on the wall with free air circulation around it. Furthermore it has to be placed where it is not influenced by any other heating sources (e.g. the sun), draft from doors or windows, or by the temperature of an exterior wall.

Temperature and Value of Floor Sensor

| Temperature (°C) | Value (Ω) |
|------------------|-----------|
| 5 | 22070 |
| 10 | 17960 |
| 20 | 12091 |
| 30 | 8312 |
| 40 | 5827 |



Operation manual



Temperature Setting

Thermostat has a scale range of 5 to 40°C. To assist the adjustment, the thermostat has a LED which will glow RED when the heating is ON. The thermostat should be set to maximum temperature setting until the desired temperature of the room or floor is achieved. The control knob should then be turned back until the LED goes out. Fine adjustments can be made over the next 1/2 days to suit individual requirements.

Thermostat Adjustment

When the room temperature has been stabilized, the thermostat set position may be adjusted to match actual room temperature. Measure the temperature of the room with an accurate thermometer. Remove control knob(1) and spin the pole(D), then reposition the control knob so that the indicated temperature line shows the same as the measured temperature (picture 2). We have adjusted the temperature, please do not spin the pole when installation.

Max./Min. Temperature Setting

A locking mechanism is positioned behind the control knob to limit the amount of adjustment possible. By loosening the little screw C (picture2) the scale range can be locked, e.g. Between 20°C and 25°C. The red ring indicates the maximum temperature and the green ring indicates the minimum temperature.

Mounting Steps

