

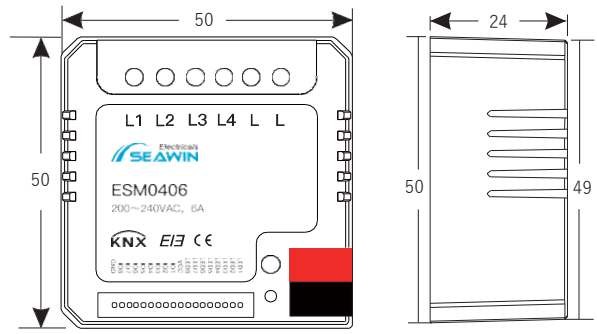
## Dimension



## Embedded multi-function interface

## Manual

ESM0406



\*unit: mm

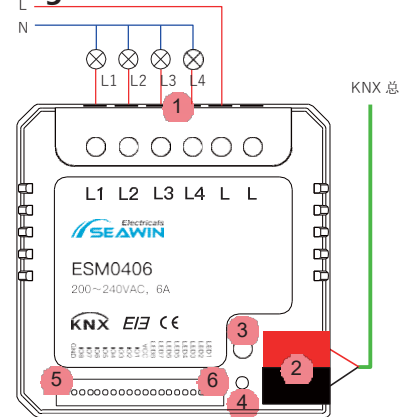
## Features

- (1) Switch lighting, open and close curtains, raise and lower projection screens, etc. It has long press, short press and reverse functions;
- (2) With 4 relay outputs, it can control lighting, curtains and other equipment
- (3) Scene control can be performed and the set scene functions can be called;
- (4) With LED indication function, multiple display states can be selected, such as: normally open, normally closed, and flashing.
- (5) 8 fold dry contact inputs;
- (6) With 8-channel LED light output;

## Technical Parameters

Rated voltage:	250VAC ( 50/60Hz), 30VDC
Rated current and capacitance:	6A/70uF, the total current of 4 loops does not exceed 12A
Maximum switching current:	16A/277V AC
Load power:	Max 800W (resistive load) Max 200W (capacitive load)
Lifespan	> 1x10 <sup>6</sup>
Bus input:	21 - 30VDC
Bus current:	≤12mA
Bus power:	≤360mW
LED driving voltage:	12VDC
LED drive current:	≤1mA
Operating temperature:	-5°C- 45°C
Storage temperature:	- 25°C...+55°C
Shipping temperature:	- 25°C-...+70°C
Relative humidity:	Max 90%
Shell material	PC
Dimension (H x W x D):	50mm x 50mm x 24mm
Installation	86 wall box

## Wiring diagram



- ①Relay output terminal: 1 in and 4 out, two L ports can be connected to any one;
- ②KNX terminal block: KNX bus connection, red wire connected to "+", black wire connected to "-";
- ③Programming indicator light: When the indicator light is red, the device is in programming status;
- ④Programming button: Short press this button to enter the programming mode;
- ⑤Dry contact terminal block: dry contact connection;
- ⑥LED lamp terminal block: common anode connection;

## Installation Notes

1. Due to its compact design, it can be installed in a traditional 80mm junction box or placed in a standard 86 back box;
2. The output end uses screw terminals for electrical connection. The bus connection is directly connected through the KNX terminal block. The system power supply does not require additional power supply voltage except the bus.