

# Android 5.5 Inch Touch Tablet YC-SM55P

## User Manual

Precautions for Use.....	1
Product Features.....	1
Package Contents.....	2
Parameter and Specification.....	3
Dimension and Interface diagram .....	4
Instructions.....	5
Problem and Solution.....	5

## **Precautions for Use**

1. The equipment is for indoor use only.
2. To reduce the risk of fires or electric shock, do not expose the equipment to rain or moisture.
3. Do not subject the equipment to severe shocking
4. Prevent any foreign matter falling into the external slot.
5. Do not open the case of the equipment. There is a risk of electric shock, and there are no user serviceable parts inside. Opening the case will void your warranty.

## **Product Features**

1. Capacitive full-screen touch, 5.5-inch IPS display, 720\*1280 resolution.
2. Music Player: support MP3, WAV, WMA, FLAC, DTS, APE, AC3, OGG and other audio formats.
3. Bluetooth : supports pairing of external Bluetooth devices such as mobile phones to achieve audio playback.
4. Time calendar: support clock and calendar display functions.
5. Setting function: setting host related functions
6. Memory card function: externally insert TF card, support 32GB TF card.
7. Type C function: plug in a type C for transfer data
8. Multi play modes: support single play, random play, sequential play, single loop, all loop play mode.
9. Display: After setting the screen , the screen can display the date and time.
10. Support shutdown and restart.
11. Support firmware online upgrade
12. Built-in WIFI wireless connection
13. 485: can support external input control, can also output control external intelligent equipment
14. Touch function: Multi-touch and touch wake up

## Package Contents

Please make sure all of the following are present when you unpack your Android Tablets.



## Parameter and Specification

1. Equipment parameters:

Outer wall dimensions: 146 (length) x 84 (width) x 11 (thickness) mm

Embedded box size: 60 (length) x 48 (width) x20 (depth) mm

86box size :80(length) x 80 (width) x37 (depth) mm

2. Rated power of the whole machine: 24W

3. Input voltage: DC 12V

4. Display: 5.5-inch IPS display

5. Resolution: 720\*1280

6. CPU: RK3566 Quad-Core ARM Cortex-A55 , up to 1.8GHz

7. Operating memory: 2GB

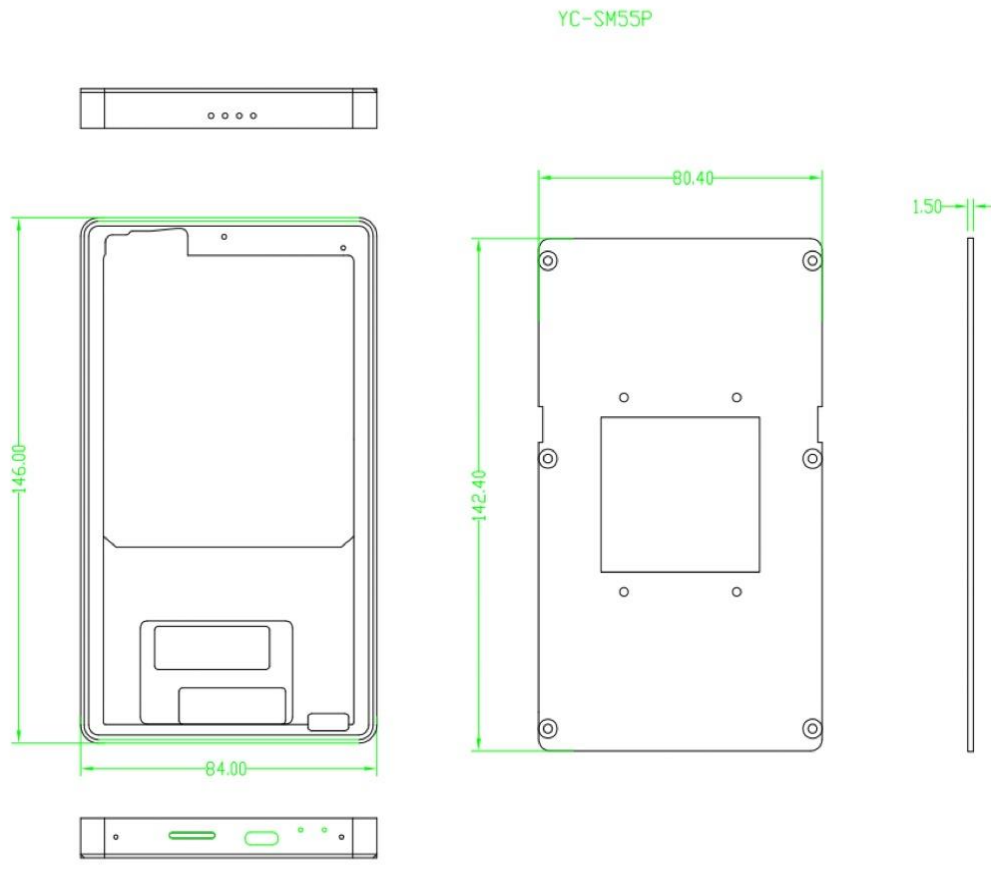
8. Storage memory: 16GB

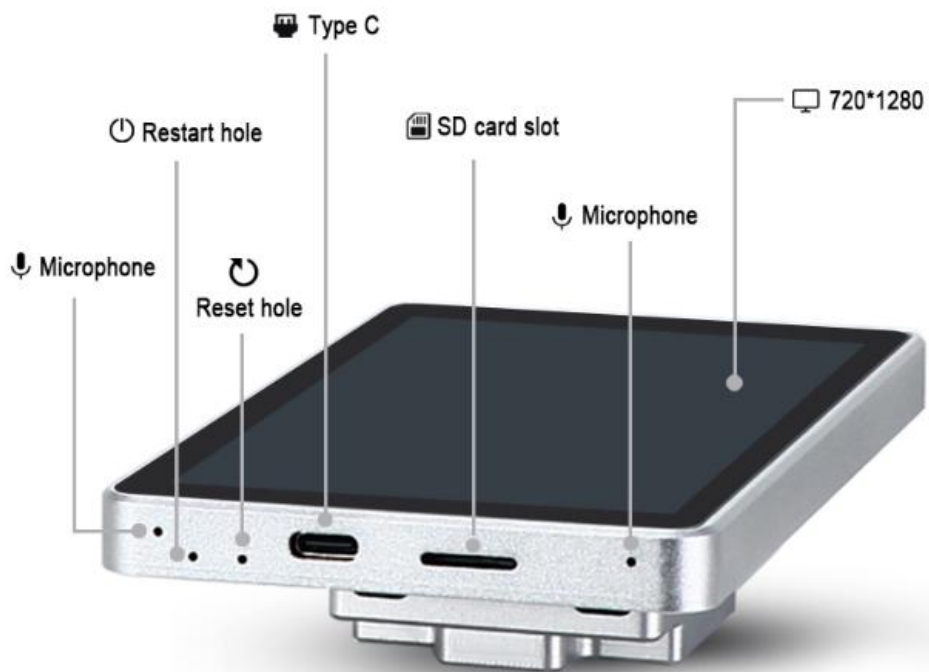
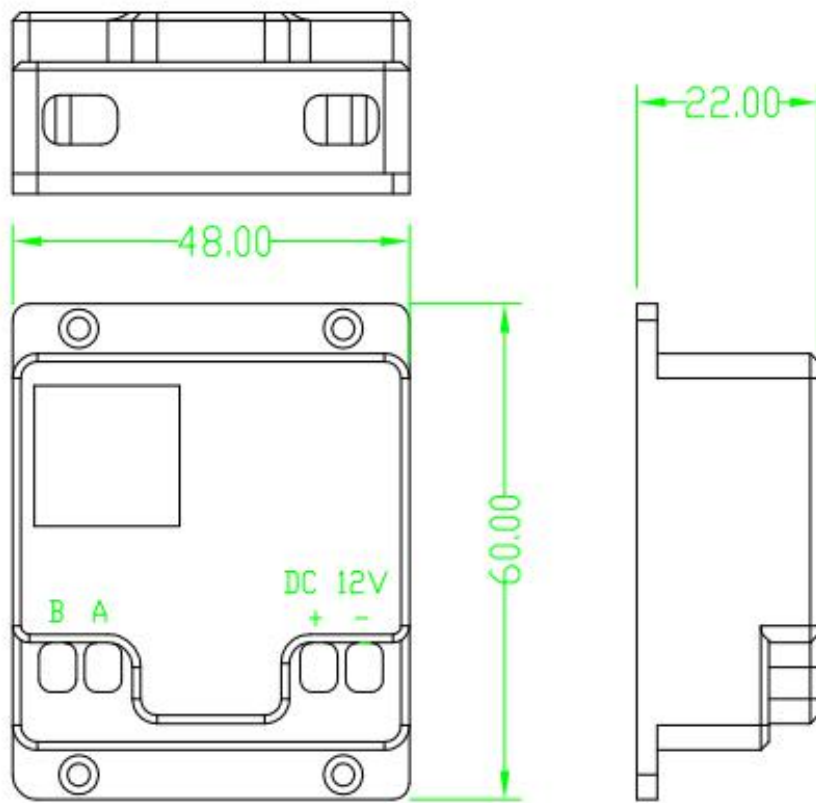
9. Support external expansion memory card: 32G (TF card)

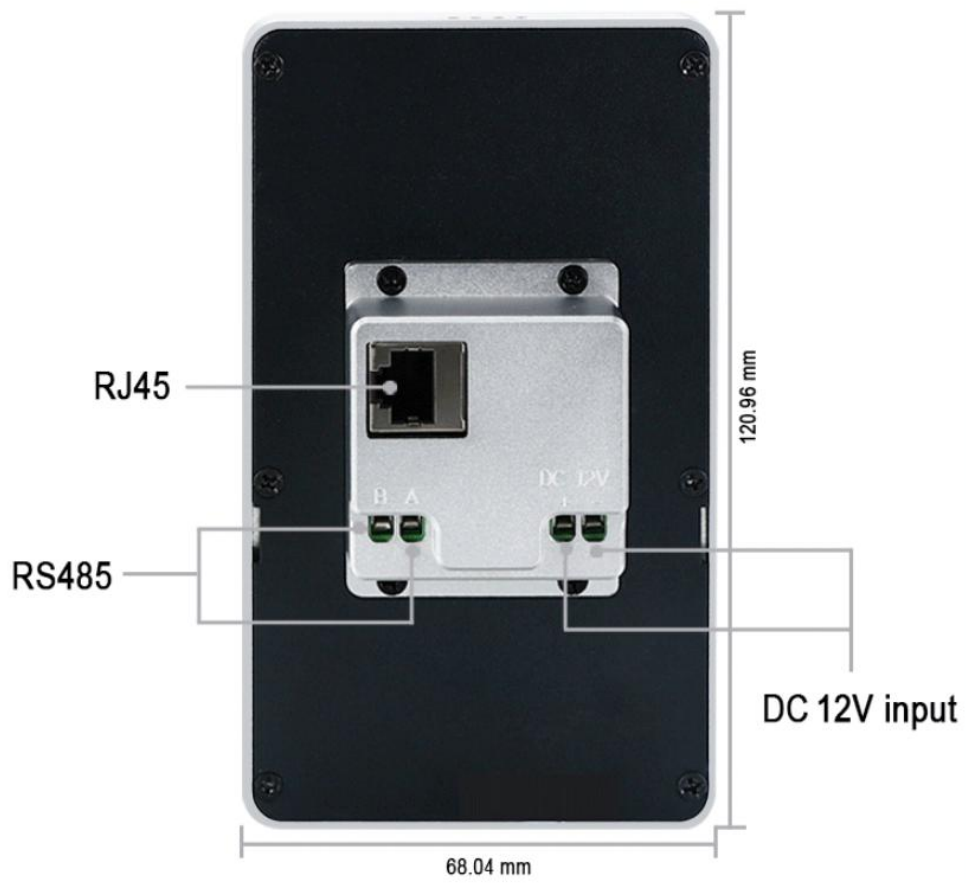
10. Cooling method: air cooling

No.	Item	SPEC
1	CPU	RK3566 Quad-Core ARM Cortex-A55, up to 1.8GHz
2	O/S	Android 11
3	DRAM	2GB
4	Memory	16GB
5	LCD	5.5 inch
6	LCD Resolution	720*1280
7	Touch screen	Capacitive touch panel
8	WiFi	802.11b/g/n
9	Ethernet	10M/100M Ethernet
10	Bluetooth	Bluetooth 4.0
11	TF Card	Support
12	RS485	RS485*1
13	POE	IEEE 802.3 at/af
14	AUX	Support
15	Audio format	MP2,MP3,AAC etc.
16	Power suply	DC 12V , 50HZ
17	Interfaces	Type C,TF card ,Mic ,Speaker,RJ45 ,RS485,DC 12V
18	Dimension	142.4mm*80.04mm*48mm
19	Installation method	in wall & embedded 86 box
20	Power consumption	2x10W MAX
21	The dimensions	86.6mm*86.6mm*35.3mm
22	Video/Audio format	MP3、WAV、WMA、FLAC、DTS、APE、AC3、OGG

## Dimension and Interface diagram







## Instructions

• Installation

# WALL MOUNT INSTALLATION

Accessories for installation:  
86 type wall box/ Aluminum metal bracket/ Screws\*2



## Problem and solution



**Not turn on**

1. Check whether the power cord is installed correctly.
2. Check whether the power switch is turned on.
3. Check POE is standard 48V or not .

**No sound**

1. Check if mute is set.

**T card/U disk playback is abnormal**

1. Can not be read, replace the T card/U disk to read again.
2. Check if the song format is correct.

**Cannot connect to Bluetooth**

1. Whether the host is connected to other devices.
2. Whether the mobile phone is enabled to search for Bluetooth devices.

**Dead**

1. Turn off the power switch and restart.