



Ultra-large colorful screen capacitive touch LCD smart thermostat

- ✓ Customized exclusive temperature plan - up to 6 events allowed to set per day
- ✓ Sail-shape curved design - fashion, elegant and enduring
- ✓ Ultra-large screen - better user interaction experience
- ✓ 485 modbus and room card linkage - customized equipment (optional)

Parameter	
Supply voltage	AC100-240V;50-60Hz
Power consumption	1W Max (Wi-Fi 3W Max)
Temp. setting range	5~95°C (41~99°F)
Floor limited range	20~90°C (68~99°F)
On/off deviation	0.5~10°C (1~10°F), Factory setting ±1°C
Ambient temperature	-5~50°C (23~122°F)
Protection level	IP20
Shell material	Anti-Flammable PC

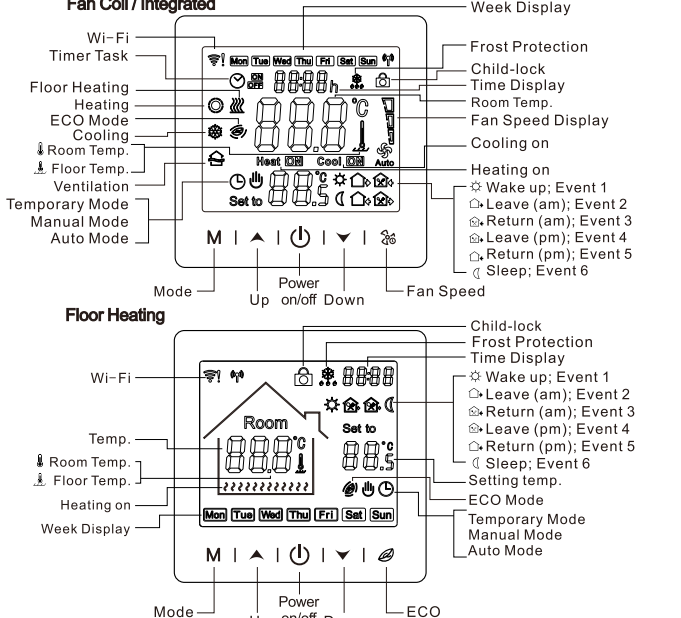
Version:R9 1.4(04/2021)

Product Overview

This series of thermostat has Floor Heating, Fan Coil, and Integrated version, meeting the requirements under different scenarios.

Version	System mode	Model	Application
Floor heating	Heating	716	Built-in & floor sensor, floor limit sensor + Weekly programming
		703	ANC/NCO dual-output + Weekly programming
		723	ANC/NCO dual-output + Weekly programming + Potential-free output
Fan Coil	Heating /Cooling / Ventilation	743	Timer task + 2-pipe system
		843	Timer task + 2-pipe system + 485Modbus (optional)
		853	Timer task + 4-pipe system + 485Modbus (optional)
Integrated	Heating / Cooling / Ventilation/Floor heating / Floor heating + Heating	963	Floor heating & fan coil, weekly programming + Potential-free output + Timer task + 485Modbus (optional) + Door card (optional)

Display Symbols



Temperature Control Mode(Floor Heating/Integrated)

- Auto Mode**
Weekly-circled programme, up to 6 heating events can be set per day. Heating events, workdays and temperature can be separately customized based on personal routines.
- Manual Mode**
Thermostat works based on manually-set temperature, disconnecting from auto mode.
- Temporary Mode**
Thermostat works based on manually-set temperature temporarily and then shifts back to auto mode till next event.

User Operation

- Power on/off:** Press "⏻" shortly to turn on/off the thermostat.
- Auto-mode:** Press "M" for 3 seconds to edit auto-mode settings. (Floor Heating/Integrated)
- Timer task:** Press "⌚" for 3 seconds to edit timer task. (Fan Coil/Integrated)
- Time setting:** Press "⌚" for 3 seconds to set time. (Floor Heating)
Press "⌚" twice for 3 seconds to set time. (Automatic time synch for Wi-Fi version)
- Temp setting:** Press "▲" or "▼" shortly to change setting temperature by 0.5°C.
- Child-lock:** Press "▲" + "▼" for 3 seconds to activate child-lock.
- System mode:** Press "M" shortly to switch cooling/heating/ventilation. (Fan Coil)
Press "M" shortly to switch cooling/heating/ventilation/floor heating/floor heating + heating. (Integrated)
- Temp control mode:** Press "M" shortly to switch manual/auto mode. (Floor heating)
Press "⌚" shortly to switch manual/auto mode. (Integrated, floor heating)
- Fan speed setting:** Press "⌚" shortly to adjust fan speed. (Fan Coil/Integrated)
- ECO mode:** Press "⌚" shortly to set to ECO mode 18°C(65°F). (Floor heating)

Advanced Setting (Usually for Professional Technicians)

Under power-off, press "M" for 3 seconds to enter advanced setting mode, then re-press "M" to switch to next mode. Press "⏻" to save and exit advanced setting mode.

Code	Meaning	"▲" or "▼"	Default Value	963	843/853	743	730/716/723
00	Postal address	Adjustment range 0x00-0xFA	00	✓	✓	✓	✓
01	Temp. calibration	-9.9~9.9°C (-9~9°F)	-3°C	✓	✓	✓	✓
02	Dead zone	0.5~10°C (1~10°F)	±1°C	✓	✓	✓	✓
03	Temp. upper limit	5~95°C (41~99°F)	50°C	✓	✓	✓	✓
04	Temp. lower limit	5~47°C (41~99°F)	5°C	✓	✓	✓	✓
05	Frost protection	ON: frost protection on OFF: frost protection off	OFF	✓	✓	✓	✓
06	Temperature unit	°C/°F	°C	✓	✓	✓	✓
07	Sensor selection	IN: Controlled by built-in sensor OUT: Limited by floor sensor ALL: Controlled by built-in sensor and limited by floor sensor	IN	✓	✓	✓	✓
08	Floor limited temp.	20~90°C (68~99°F)	35°C	✓	✓	✓	✓
09	Weekly programming setting	12345: 5/2 week mode 123456: 6/1 week mode 1234567: 7/0 week mode	12345	✓	✓	✓	✓
10	Status of potential-free and main power outputs	00: both outputs are normally open 01: main power output is normally closed; potential-free output is normally open 02: both outputs are normally closed; 03: both outputs are normally closed; under power-off, frost protection is off either	00	✓	✓	✓	✓
11	Delay time of outputs	0~5min	0	✓	✓	✓	✓
12	Child-lock	00: Child-lock inactivate when screen off; lock all when child-lock activate 01: Child-lock activate when screen off; lock all when child-lock activate 02: Child-lock activate when screen off; lock all except Fan Speed, Up and Down when child-lock activate 03: Child-lock activate when screen off; lock all except Power on/off when child-lock activate	00	✓	✓	✓	✓
13	Power-on-reset	00: stay power-off after Power-on-reset 01: stay power-on after Power-on-reset 02: recovery after Power-on-reset	02	✓	✓	✓	✓
14	Door card status	00: turn off door card function 01: set to ECO temp. after pulling door card out 02: stay power-off after pulling door card out	00	✓	✓	✓	✓
15	Door card heating ECO temp.	10~21°C (50~69°F)	18°C	✓	✓	✓	✓
16	Door card cooling ECO temp.	22~32°C (72~89°F)	26°C	✓	✓	✓	✓
17	Fan coil mode setting	00: Cooling and heating 01: Cooling only	00	✓	✓	✓	✓
18	Weekly programming for Integrated	00: turn on 01: turn off	01	✓	✓	✓	✓
19	Reset	Press "▲" for 3 seconds to reset	/	✓	✓	✓	✓

Ultra-large colorful screen capacitive touch LCD smart thermostat

Installation instructions

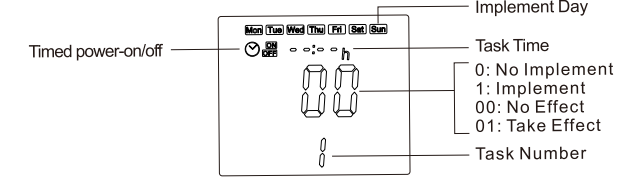
Auto-mode Setting (Floor Heating/Integrated)

Press "M" for 3 seconds to edit auto-mode setting.

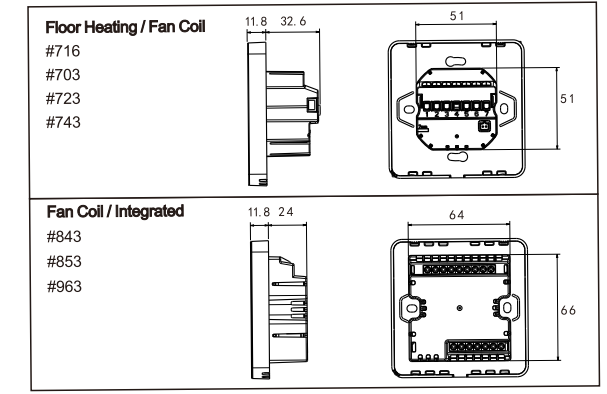
Events	Symbols	Time		Temperature	
		Default value	Modify	Default value	Modify
Workdays	1	06:00	Press	20°C (68°F)	Press
	2	08:00	"▲"	15°C (59°F)	"▲"
	3	11:30		15°C (59°F)	
	4	12:30	or	22°C (72°F)	or
	5	17:00		15°C (59°F)	
	6	22:00	"▼"	15°C (59°F)	"▼"
Weekends	1	06:00		20°C (68°F)	
	2	20:00		20°C (68°F)	

Timer Task Setting (Fan Coil/Integrated)

Press "⌚" for 3 seconds to enter timer task setting; press "M" to change settings; press "▲" or "▼" to adjust parameters; press "⏻" to save and exit.



Dimensions (Unit: mm)



Mounting Steps

The thermostat adopt pre-guide and limited snap-fit design. It is easy to mount.

- Release front cover by inserting a head screw-driver into bottom crack.
- Insert the wires and then fix these wires with screws. Suggested wire-stripping length is 7-9mm.
- Mount backing plate into wall-cassette, put screws and then fix thermostat. Make sure that the thermostat is fixed without deformation. Suggested torque is 0.2-0.4N.m (2.0-4. 1kgf.cm).
- Re-mount the front cover via snap-fit connection.

Sensor failure

Please select work mode of sensors correctly. When it shows E0/E1 error, thermostat will stay power-off till the error is eliminated. E0: built-in sensor is short-circuited or disconnected. E1: floor sensor is short-circuited or disconnected.

Connecting Diagram

The thermostat operates in full capacity in areas with the altitude of less than 2500 above sea level. Power rating of external load should be less than or equal to 80% rated power of the thermostat in areas with altitude of 2500m to 4200m.

