

Copyright Clarify

Copyright ownership belongs to Zhuhai Sation Technology Co., Ltd. shall not be reproduced, copied, or used in other ways without permission. Otherwise Zhuhai Sation Technology Co., Ltd. will have the right to pursue legal responsibilities.

Version

Version	Release Date	Remark
V1.0	9 th Mar 2016	1st Release
V1.1	25 Oct 2021	2rd Release

Notice

1. Please read this user manual carefully before using the product.
2. This product is used in indoor environment and installed in electrical control box.
3. Please install this product in a dry and ventilated place.
4. Before power on, please confirm the input voltage according to the manual; after power on, please confirm the normal output Voltage before connecting to the control bus.
5. Please make sure the secure shell is in good condition, if the shell is damaged, please stop using to avoid accident.
6. This product is NOT a toy, please make sure it is out of children touch.
7. Only be suitable for EIB/KNX system bus.
8. Others:

The below sign indicates this product can't be dealt as ordinary family rubbish, in order to avoid the possible environment and human health harm caused by the electrical waste, this product must follow recovery processing. Please contact the local recycling department after this product is scrapped, to make sure it can go as the right waste processing procedure.



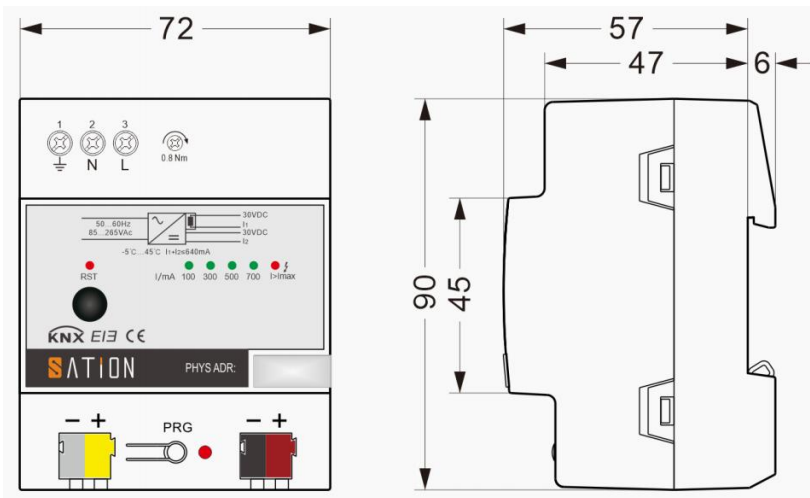
The user manual refer to the following device:
SATION-SP2002.6440



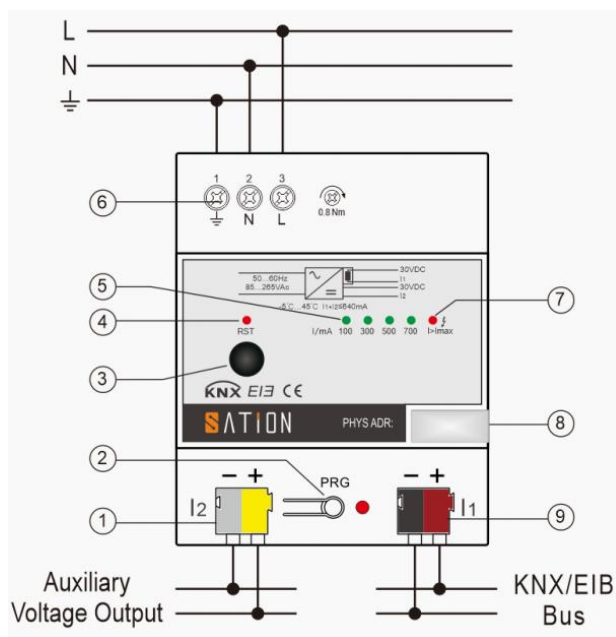
1. Technical Parameters

Power supply	Operating voltage	85V ~265 Vac, 47~63Hz
	Power loss	<3 W
	Efficiency	75%
Output	EIB/KNX output	1 line with integrated choke, 1 line With Auxiliary Output
EIB/KNX voltage	30 V DC +1/-2 V	
EIB/KNX current:	640 mA	
Sustained short-circuit current	< 1.3 A	
Mains failure back-up time	>200ms	
Operating/Display	Green LED ON	output voltage is OK
	Red LED	overload or short circuit
	Reset push button	reset at the EIB / KNX output (starts when the push button is pressed and lasts 22 seconds);
	Red LED	Reset at the EIB/KNX output
Connection	power supply	2-srew terminals
	Cable cross-section	single-core 0.2—4.0mm ² Multicore 0.2— 2.5mm ²
EIB/KNX output		Bus connection terminal (black/red)
IP Grade	IP 20	EN 60529
Ambient temperature range	Operation	-5 °C ~ + 45 °C
	Storage	-25 °C ~ + 55 °C
	Transport	-25 °C ~ + 70 °C
Housing & Color:	Plastic, Gray	
Mounting:		Simple assembly on a 35 mm DIN rail accordance with EN 60715
Dimension	90×72×63mm	
Weight	0.4kg	

2. Product Dimensions



3. Circuit Wiring



- | | |
|---------------------------|---------------------------|
| 1. Auxiliary power output | 2. Reset button LED |
| 3. Reset button | 4. Reset Button for Power |
| 5. Bus current LED | 6. AC Input |
| 7. Overcurrent LED | 8. Label |
| 9. KNX Terminal | |

4. Function Overview

EIB/KNX power supply produces and monitors EIB / KNX system voltage. The bus line is decoupled from the power supply with the integrated choke.

The power supply is connected to the bus line with a bus connection terminal. A reset is triggered by pressing the reset push button and lasts 22 seconds (regardless of the duration of the push button action). The bus line disconnected from the power supply and the devices connected to this bus line are returned to their initial state. If the line should be disconnected for a longer period, the bus connection terminal must be removed from power supply.