

### Connection

1. Physical Address Label
2. KNX programming button
3. KNX programming LED
4. KNX connection
5. Indicator LEDs
6. Manual control channel selection buttons
7. Manual control button
8. Manual control up/down, on/off button
9. Inputs

### General Description



⊗ Lighting

⊗ AC Blind

⊗ Fan/Coil Fan / Valve / DC Blind

Device has 20 outputs which can be programmed via ETS4 or above. Outputs contain 5 independent outputs. (AB, CD, EF, GH, IJ) Operating method for each relay group can be configured as like below.

- Switching Output x4
- AC Blind x2
- DC Blind x1
- Two Point Valve x2
- Three Point Valve x2

Device has 18 independent Input Channels. Input Channels may operate the actions below as well as Universal Interface.

- Switching
- Dim Control
- Blind Control
- Value and Priority Sending
- Scene Control
- Pulse Counter

All of input configurations can be operated independently.

### Operation and Indication Elements

#### -Programming LED<sup>(3)</sup>

Programming LED will be indicated if the programming button pressed. This button is used to download individual address to the device.

#### -Manual Control Channel Selection Buttons<sup>(6)</sup>

This button can be used to select relay or relay groups.

#### -Manual Control Button<sup>(7)</sup>

This button is used to switch to manual mode in device.

#### -Manual Control Up/Down, On/Off button<sup>(8)</sup>

This button is used to control the relay or relay groups.

### Installation

Device is manufactured according to EN 60 715 standard. It is compatible with 35 mm DIN rail.

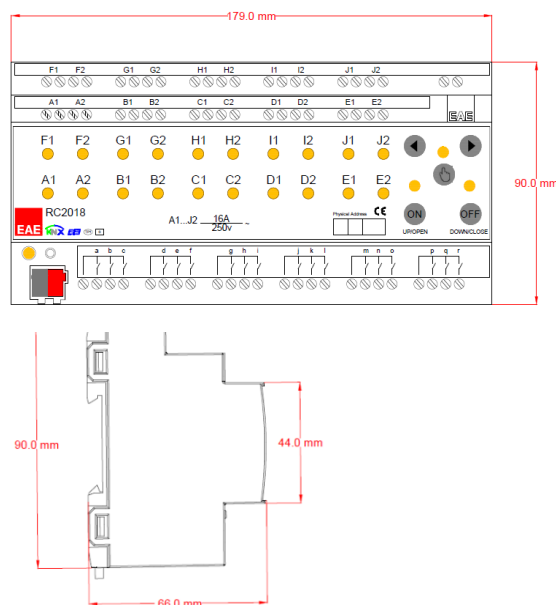
### Cleaning

If device becomes dirty, only a dry cloth can be used for cleaning. It is not suitable to use wet cloths, caustics and solvents.

### Technical Data

<b>Type of protection</b>	IP 20	EN 60 529
<b>Safety Class</b>	II	EN 61 140
<b>Power Supply</b>	21V... 30V DC, SELV	
<b>Connections</b>	Screw terminals	
	0,05...3,31 mm <sup>2</sup> solid and stranded wire	
	0,05...3,31 mm <sup>2</sup> stranded wire with ferrule	
	-0.8 Nm Max. Tightening torque	
	KNX Bus connection terminal	
<b>Input</b>	up to 18 channels independent	
<b>Output</b>	up to 20 channels / 5 groups	
	Switching voltage 277/440V AC; 50/60 Hz	
	Switching capacity 277 V AC 16A / AC 1	
	Fluorescent lighting load 16 AX/250 VAC EN 60 669-1	
	Mechanical life > 3 x 10 <sup>6</sup>	
<b>Output Life</b>	Mechanical life > 3 x 10 <sup>6</sup>	
<b>Installation</b>	35 mm mounting rail	
	EN 60 715	
<b>Temperature range</b>	Ambient	-5° C + 45° C
	Storage	-25° C + 55° C
	Transport	-25° C + 70° C
<b>Humidity</b>	Max. Air humidity 95 % no moisture condensation	
<b>Dimensions</b>	66 x 179 x 90 mm h x L x W	
<b>Weight</b>	0.8 kg	
<b>Box</b>	Plastic, polycarbonate, color grey	
<b>CE</b>	In accordance with the EMC guideline and low voltage	

### Technical Drawings



### Commissioning

Device product file ".knxprod" must be imported to the ETS product catalog. Product file can be found in our website. [www.eaetechnology.com](http://www.eaetechnology.com)

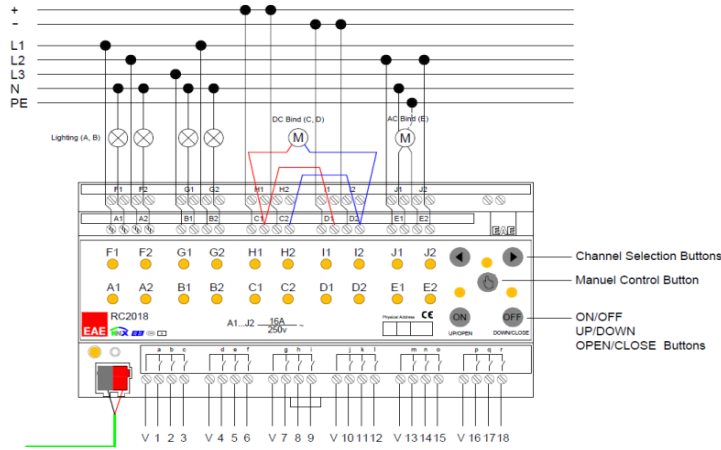
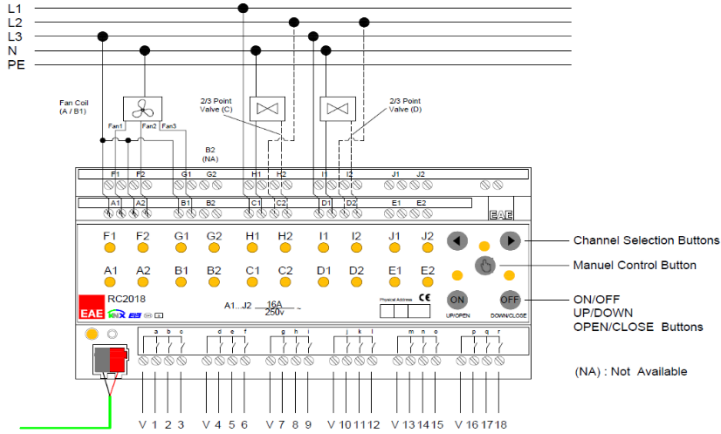
Physical addressing and programming can be done ETS4 or higher.

**i** A detailed information about parameter configuration can be found in Product Manual of device.

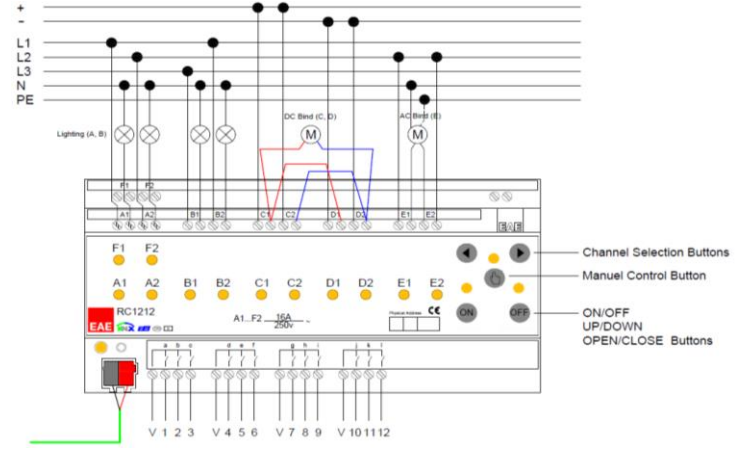
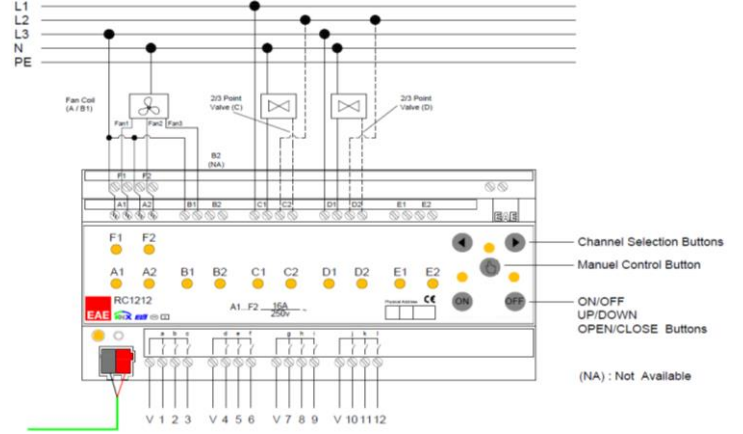
**!** Installation and commissioning of device may only be implemented by trained electricians. The relevant standards, directives, regulations and instructions must be observed when planning and implementing the electrical installation.

- When connecting the device make sure that the device can be isolated!
- Protect the device against moisture, dirt and damage during transport, storage and operation!
- Do not operate the device out of the specified technical data which is stated.
- The device may only be operated in closed enclosures such as distribution boards.

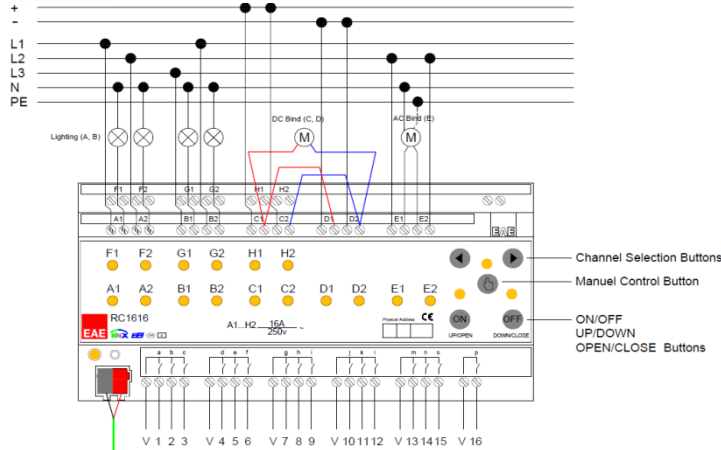
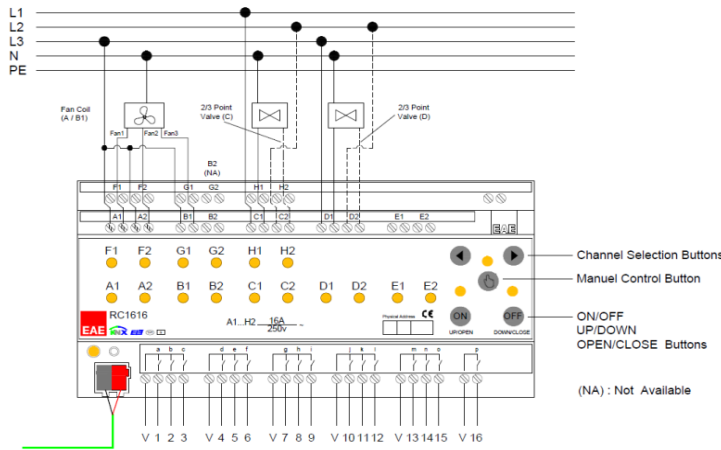
### Room Control Unit 2018



### Room Control Unit 1212



### Room Control Unit 1616



### Room Control Unit 0808

