

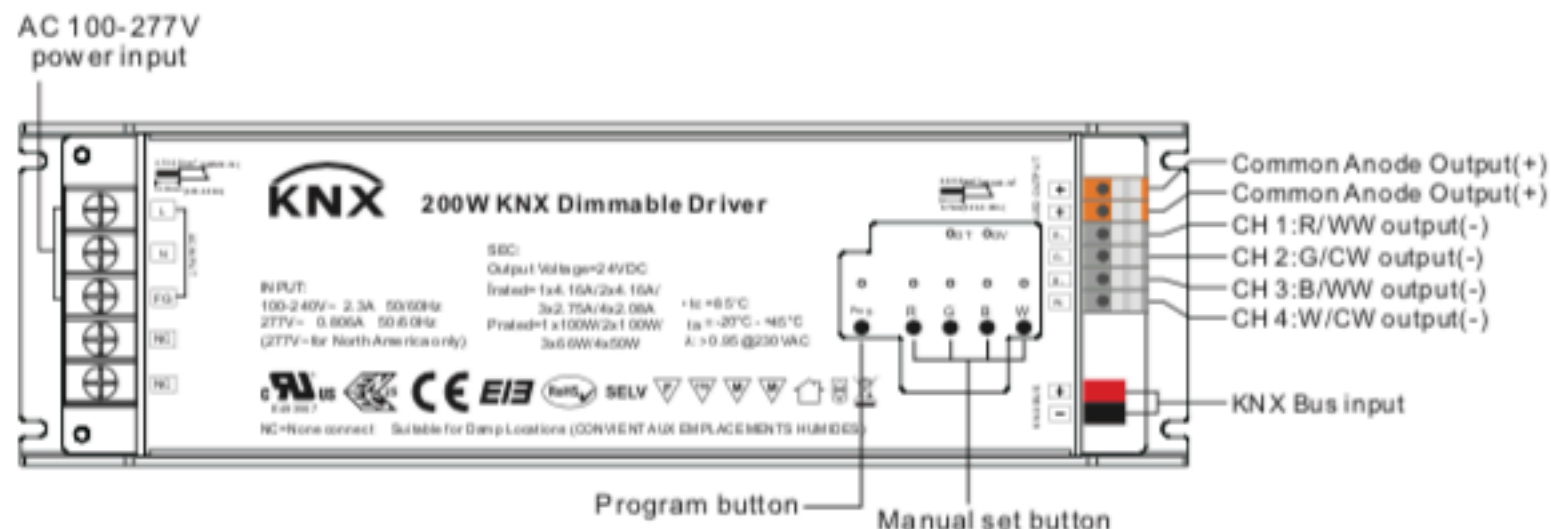
# 200W KNX LED Driver(Constant Voltage)

09.200KNCV.04028



**Important:** Read All Instructions Prior to Installation

## Function introduction



## Product Data

Output	LED Channel	4	
	DC Voltage	12V DC	24V DC
	Max. Current	Max. 8.3A/ch, ch1+ch2+ch3+ch4=16.6A	Max. 4.1A/ch, ch1+ch2+ch3+ch4=8.4A
	Voltage Tolerance	± 1%	
	Rated Power	max. 200W	
Input	Voltage Range	100-277V AC	
	Frequency Range	50/60Hz	
	Power Factor (Typ.)	> 0.98 @ 230VAC	
	Total Harmonic Distortion	THD ≤ 15% (@ full load / 230VAC)	
	Efficiency (Typ.)	93% @ 230VAC full load	
	AC Current (Typ.)	2.3A @ 100VAC, 1A @ 230VAC, 0.9A@277VAC	
	Inrush Current (Typ.)	COLD START Max. 65A at 230VAC	
	Leakage Current	< 0.5mA /230VAC	
Standby Power Consumption	< 1W		
Connections	Inputs	Using screw connection terminal	
	Outputs	Using screwless connection terminal	
	EIB/KNX	EIB bus connection terminal	

Operation & Display	Button and red LED	For assigning the physical address
	Green LED flashing	Indicate the application layer running normally
	LEDs for Output	Indicate output status per channel, LED on mean the channel has output, LED off mean the channel has not output.
	Manual buttons	Switch via a short operation, relative dimming via a long operation
	OT. LED	Indicate over-temperature, >70 °C
	OV. LED	Indicate over voltage, >40V DC
Protection	Over Current	Yes, recovers automatically after fault condition is removed
	Over Temperature	Yes, recovers automatically after fault condition is removed
Environment	Working Temp.	-20°C ~ +45°C
	Max. Case Temp.	85°C
	Working Humidity	10% ~ 95% RH non-condensing
	Storage Temp. & Humidity	-40°C ~ +80°C, 10% ~ 95% RH
Safety & EMC	Safety Standards	UL8750, CAN/CSA C22.2 No. 250.13-14, ENEC EN61347-1, EN61347-2-13 approved
	Withstand Voltage	I/P-O/P: 3.75KVAC
	Isolation Resistance	I/P-O/P: 100M Ohms / 500VDC / 25°C / 70% RH
	EMC Emission	EN55015, EN61000-3-2, EN61000-3-3
Others	EMC Immunity	EN61547, EN61000-4-2,3,4,5,6,8,11, surge immunity Line-Line 1KV
	MTBF	193.6K hrs min. @ 230VAC full load and 25°C ambient temperature

- Dimmable LED driver with rectangle metal case
- 4 channels 12/24VDC constant voltage output
- Class 1 power supply, full isolated metal case
- Built-in two-stage active PFC function
- PF > 0.98, Efficiency > 93%
- Low standby power < 1W
- Built-in KNX interface, KNX/EIB Bus Connection Terminal
- Support Physical Address and Group Address
- To control single color, dual color, RGB/RGBW LED lighting
- Relative Dimming Control, Absolute Dimming Control, Scene Control, On/Off Switching
- Commission and Project Design with ETS4
- IP20 rating, suitable for indoor LED lighting applications
- 5 year warranty