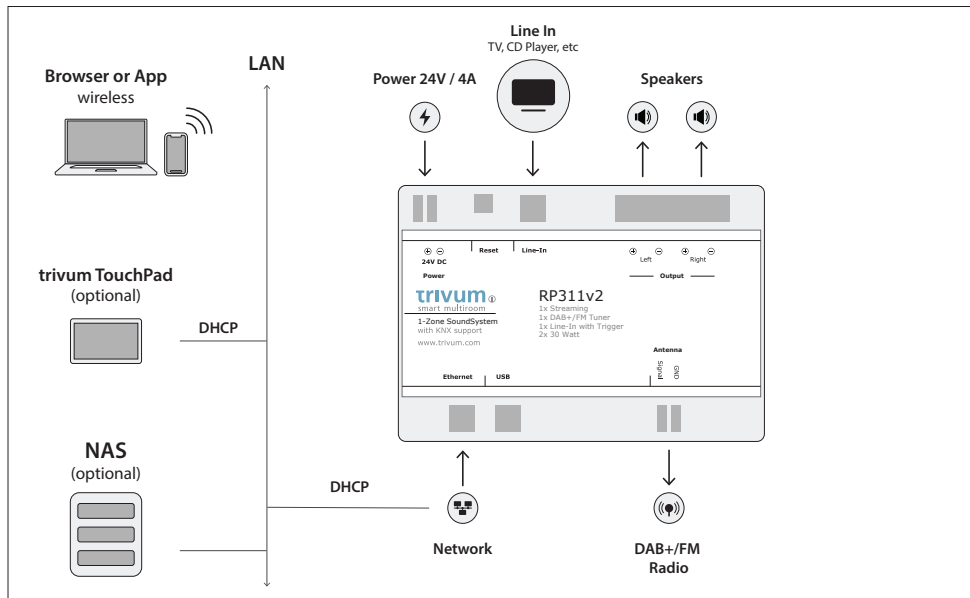
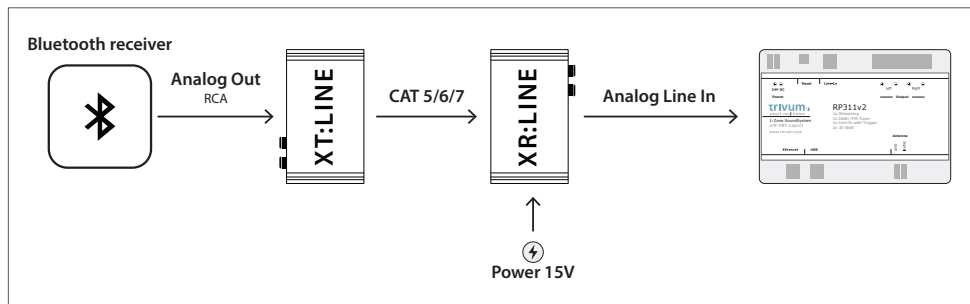


Connection example:



Connection example with trivum Audio Extenders:



All trivum products are available in our online shop www.trivum.com

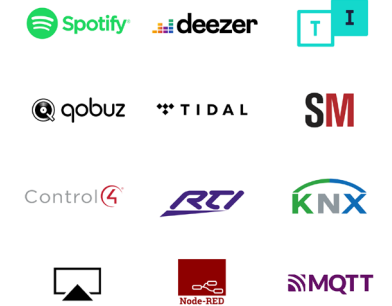
Article Numbers:

1. RP311v2:	301022	4. REG PS 24/100 (4.2A):	500023
2. XT:LINE:	500041	5. Audio Extender PvS 15V:	500049
3. XR:LINE:	500042	6. TouchPad 7":	600013

trivum[®]
smart multiroom

RP311v2
AN: 301022

Quick Installation Guide



Required components for installation:

- 24 V DC power supply, at least 4A (e.g. PS24/100 4.2A by trivum AN: 500023)
- ethernet cable
- network with DHCP capable router
- Browser (PC / Mac) or trivum App
- speakers with 4 or 8 Ohms impedance

Technical Data

Zones	1 Zone Expandable to up to 64 zones
Source	1x Streaming 1x DAB+/FM Tuner 1x analog Line Input
Streaming	1x up to 192kHz 24Bit
Radio	DAB+/FM
External Sources	1x Line In analog via 3.5 Jack
Music Formats	MP3, AAC, FLAC, M4A, WMA, ALAC
Connections	1x Network (RJ45 Socket) 1x Speaker Stereo (4-Pin connector) 1x Analog Line Input 1x Antenna (2-pin connector) 1x Power (2-pin connector)
Amplifier	Class D, 4x 30W @ 4 Ohm
Power Supply	24V, 4A (192 W) 2-pin connector
Casing	REG 6 units (142mm)
Weight	0,166 kg

1. Mounting and connection

- 1.1 Mount the RP311v2 on a 35 mm DIN-rail.
- 1.2 Connect cables to audio speakers (check polarity), Ethernet network and power supply.

⚠ Warning: Wrong polarity may damage the device! Double check power cable polarity before connecting!

2. Configuration

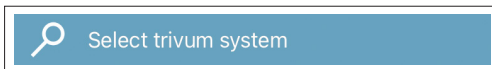
The trivum RP311v2 has to be configured via web browser. We recommend you to use the trivum Apps or trivum ServerAdmin Tool. The trivum Apps and ServerAdmin Tool will scan and list all trivum devices and their IP addresses in your network.

Using trivum App (iOS or Android)

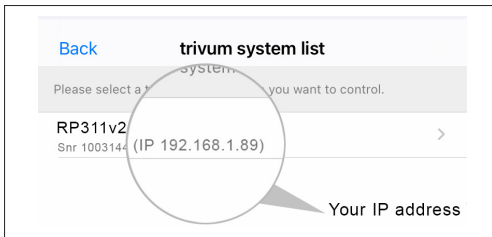
- 2.1 Please scan QR Code to download the trivum iOS App or Android App. You can also visit -> <https://trivum.de/apps>



- 2.2 Start the App and tap on the button "Select trivum system".



Then all trivum devices in your network, their IP addresses and serial numbers will be listed..



Using trivum ServerAdminTool (Windows)

- 2.3 Please download and install the ServerAdmin Tool. -> <https://trivum.de/admin-tool>
- 2.4 Start the ServerAdmin Tool.
- 2.5 Double-click on the device (RP311v2) to open the Music Center WebConfig (main config site).

i Note: If you are not sure about the assignment of the listed devices, you can compare the serial number in the list with the serial number on your device.

- 2.6 If you need static IP instead of DHCP: click "Network".
- 2.7 Select "Use static IP address".
- 2.8 Enter your IP settings and Restart to apply changes.

3. Adding a network share

The trivum RP311v2 can play audio files which are stored on network shares. If you want to use a shared directory, make sure that it supports the media sharing service Samba service (smb). To add a network share (e.g. NAS):

- 3.1 Open the Music Center WebConfig.
- 3.2 Click: "Music on NAS -> Setup music library -> Add network share".
- 3.3 Set the network path and user/password if required.
- 3.4 Click "Save as new share".
- 3.5 Click "Refresh" your music index now.

4. Adding your Online streaming service account

- 4.1 Open the Music Center WebConfig.
- 4.2 Click "Streaming".
- 4.3 Click "Add Service".
- 4.4 Select your favorite service and enter your user account.
- 4.5 Click Create the streaming service given account.

i Note: trivum supports only paid accounts.

💡 Tip: The RP311v2 is AirPlay ready, so it's easy to stream every kind of music to the specific zone (with Apple devices).

Backup your configuration

Once you have completed the setup, we recommend you to make a backup of your configuration:

- Open the Music Center WebConfig.
- Click "Backup/Restore -> Export/import configuration".
- Follow the instructions.

For easy operation of your RP311v2, we recommend our trivum TouchPad.

How to use a trivum TouchPad?

- Make sure your TouchPad is running software v2.35 or later.
- Wait a few seconds until the TouchPad has booted.
- On the starting screen press "Pair TouchPad with Audio System".
- Press "Select..." and select your preferred trivum MusicCenter from the pop-up menu.

How to use KNX?

The KNX programming of RP311v2 is done via the web browser. No need for extra KNX software.

- Open the Music Center WebConfig.
- Click "KNX->Setup KNX communication" and enable "use KNX / IP".
- Follow the instructions.

You find further informations for KNX on:

<https://trivum.de/knx-setup>

Further documentation and troubleshooting

To find helpful log files in support cases:

- Open the Music Center WebConfig.
- Click "Logs & Warnings".

Please visit also our website for the latest documentation, videos and information:

<https://www.trivum.com>

<https://service.trivum.com>

If support is needed

Please contact your local trivum dealer or write to:

service@trivum.com

Download links:

trivum ServerAdmin Tool (Windows):

<https://trivum.de/admin-tool>

trivum Apps (iOS, Android, Web):

<https://trivum.de/apps>

trivum technologies GmbH
Eierstraße 48
70199 Stuttgart
info@trivum.de
www.trivum.com

