

'INTERRA

— *Developer of Uniqueness* —

KNX USB Interface

Product Manual



Information contained in this publication regarding device applications and the like is provided only for your convenience and may be superseded versions by updates. It is your responsibility to ensure that your application meets your specifications.

INTERRA MAKES NO REPRESENTATIONS OR WARRANTIES OF ANY KIND WHETHER EXPRESS OR IMPLIED, WRITTEN OR ORAL, STATUTORY OR NONSTATUTORY, RELATED TO THE INFORMATION INCLUDING BUT NOT LIMITED TO ITS CONDITION, QUALITY, PERFORMANCE, MERCHANTABILITY OR FITNESS FOR PURPOSE.

Interra disclaims all liability arising from this information and its use. Use of Interra devices in life support and/or safety applications is entirely at the buyer's risk, and the buyer agrees to defend, indemnify and hold harmless Interra from any and all damages, claims, suits, or expenses resulting from such use. No licenses are conveyed, implicitly or otherwise under any Interra intellectual rights.

Trademarks

The Interra name and logo and the Interra ITR901–0003 KNX USB Interface are registered trademarks of Interra Technology in Turkey and other countries.

All other trademarks mentioned herein are property of the Interra Technology.

© 2022, Interra, Printed in Turkey, All Rights Reserved.



Printed on recycled paper.

TS EN ISO 9001:2008

TO OUR CUSTOMERS

One of our most important aims is to provide you with the best documentation possible to use successfully your Interra products. Focusing of this, we will keep on improving our documentation to better suit your needs. Our publications will be updated as new volumes as soon as changes are introduced.

If you have any questions or comments regarding this publication, do not hesitate to contact us:

E-mail: info@interra.com.tr

Tel: +90 (216) 326 26 40 Fax: +90 (216) 324 25 03

Most Current Product Manual

To obtain the most up-to-date version of this product manual, please visit our Web site at:

<http://www.interratechnology.com>

You can determine the version of an Interra document by examining its literature number found on the bottom right corner of any page.

The first two letters of the literature are the type of document. The numbers that follow are the creation date of the document and the last letter is the version (e.g., PM181017001A is the version A of a product manual created on the date 17/10/18).

CONTENTS

1. Product Description	5
2. Technical Drawings	7
3. Operational Description	8
3.1. ETS Bus Connection Current Interface.....	8
3.2. Physical Address Assignment.....	8
3.3. ETS Product Database	9

1. Product Description

The ITR901-0003 Interra KNX USB interface connects a PC to KNX TP via USB and provides a galvanic isolated bi-directional data connection to the KNX bus. With the ETS or another KNX compatible commissioning tool the ITR901-0003 works as programming interface. Due to HID profile support no specific USB driver is required. Moreover, the ITR901-0003 also supports the USB suspend mode.

The Interra KNX USB Interface establishes access to all bus devices to feature commissioning, addressing, setting parameters, visualization, protocolling, and diagnostic operation. The protocol used for communication between interface and host is the flexible "cEMI" protocol.

The connection between KNX and a PC with standard software (like ETS, EITT software's) or other software is handled by the FALCON driver. The ITR901-0003 Interra KNX USB Interface

supports long messages (up to 220-byte APDU length) and ensures easy software handling also under operating systems not supported by the FALCON driver (e.g.: Linux). For specific diagnostic applications like EITT the ITR901-0003 supports the "Raw Frame" operating mode.

The ITR901-0003 Interra KNX USB Interface is supplied by both KNX TP and USB. Hence, no additional external power supply is necessary. Two LEDs are located on the front panel as illustrated below. The LEDs indicate details concerning the bus (connection) state and telegram traffic. The following shows the front view of the device.

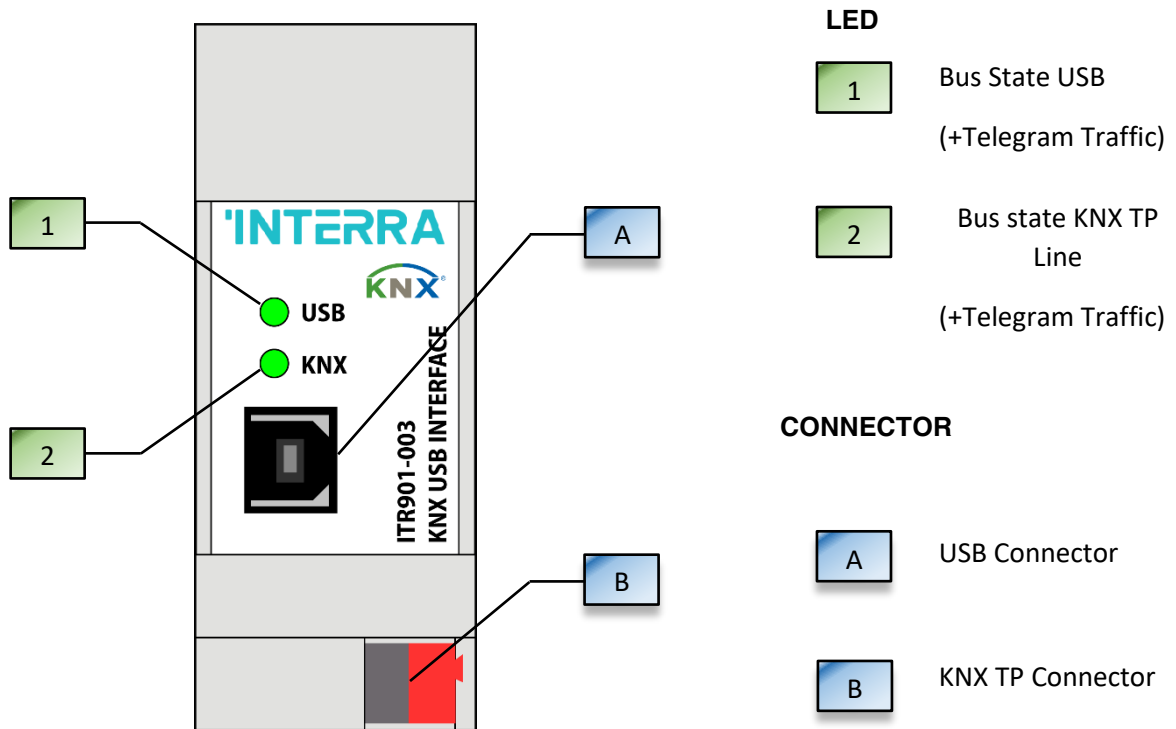


Fig 1 : Front View of Device

NUMBER	LED	COLOUR	DESCRIPTION
1	Bus State USB (+Telegram Traffic)	Green	USB connection Ok / There is no telegram traffic.
		Blinking Green	Telegram traffic extent indicated by blinking.
		Off	No USB connection.
2	Bus Durum KNX TP (+Telegram Traffic)	Green	KNX TP connection Ok/ There is no telegram traffic.
		Blinking Green	Telegram traffic extent indicated by blinking.
		Off	KNX TP line not connected(or no USB connection)

2. Technical Drawings

All dimensions shown here are specified in mm. The total device width is 2 modules at 18 mm.

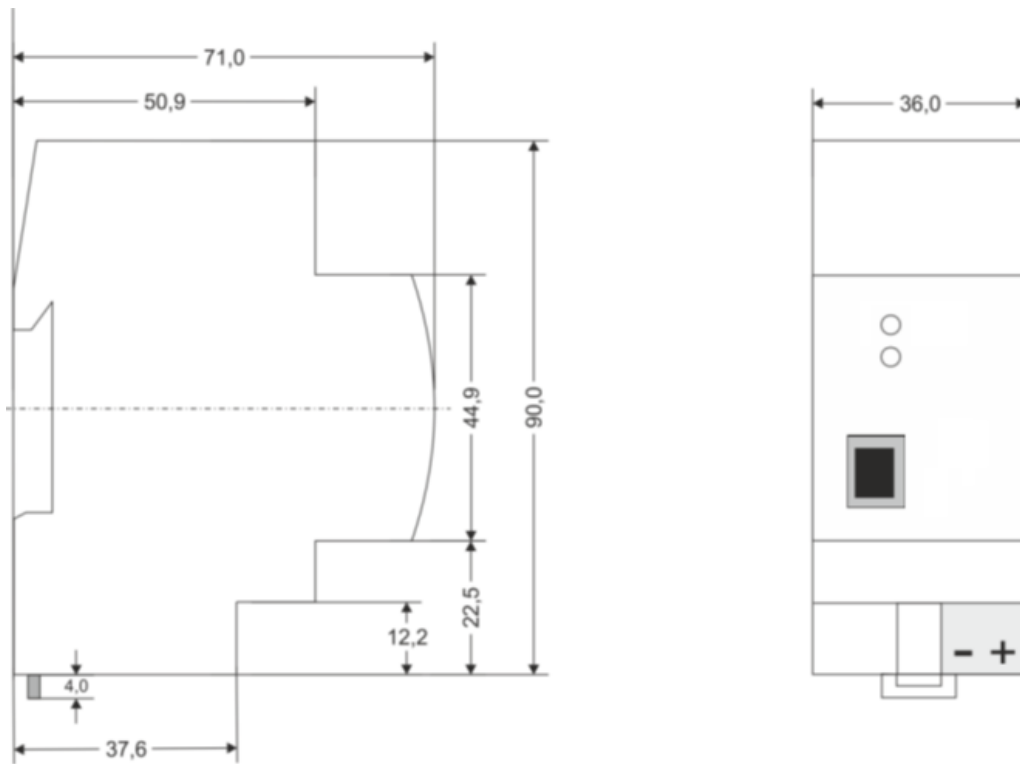


Fig 2 : Drawings and Dimensions of the Device

3. Operational Description

After connecting the ITR901-0003 Interra KNX USB Interface to the PC the LEDs show the bus connections status. Lightning green means a connection is established. Blinking green indicates the telegram traffic extent. In Microsoft Windows the ITR901-0003 device is recognized as HID (Human Interface Device). So, no extra drivers have to be installed or downloaded. In general, network configurations become less time-consuming. The ITR901-0003 device's ETS database entries are available for ETS3.0d and upward. The device (dummy application without parameters and without communication objects) can be added to an ETS project as usual.

3.1. ETS Bus Connection Current Interface

To use the ITR901-0003 as the KNX programming interface in the ETS, the device has to be chosen as the Current Interface. This can be done in the ETS Bus Connections tab and when editing a project, at the bottom line ("Name and state of current connection") of the ETS window.

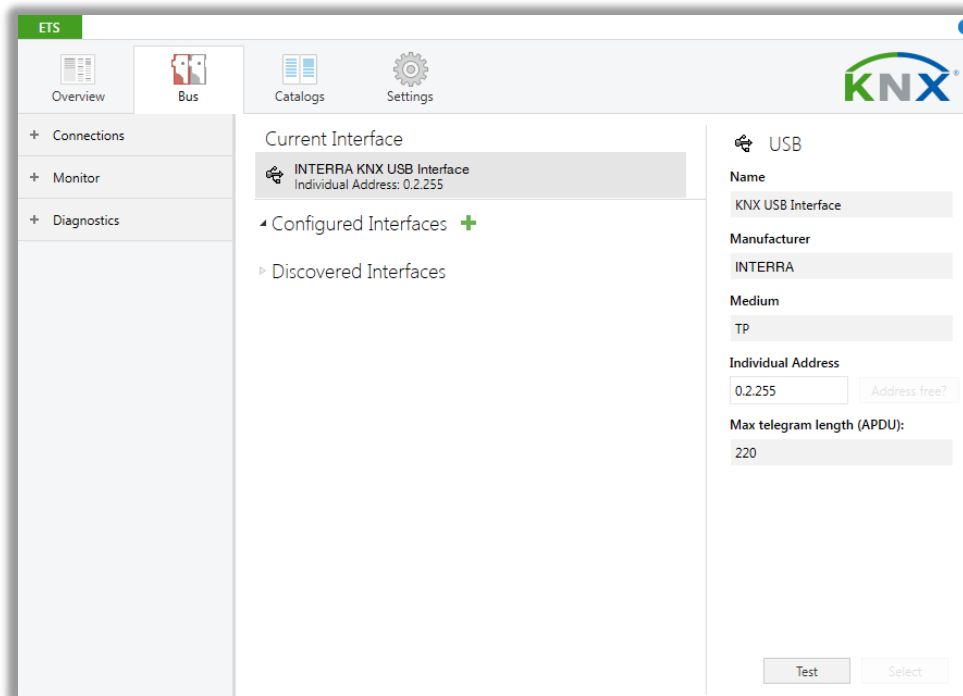


Fig 3 : ETS Bus Connections Window

3.2. Physical Address Assignment

The device is supplied with the individual physical address "0.2.255". With the ETS the physical address can be assigned to the device by setting the desired address in the Bus Connections window of the ETS. To download the desired physical address the Interra KNX USB Interface has to be chosen as the Current Interface. Then type in the Individual Address and press the Test button.

Note: In this document only the term "physical address" is used. The term "physical address" means the physical address as well as the individual address. Both terms are used interchangeably by the KNX organisation.

3.3. ETS Product Database

The KNX product database entry (only as ETS dummy application) can be downloaded from Interra website and the KNX Online Catalog and it should only be used as a test application. Because the device has no parameters and objects. Please be aware of this situation.

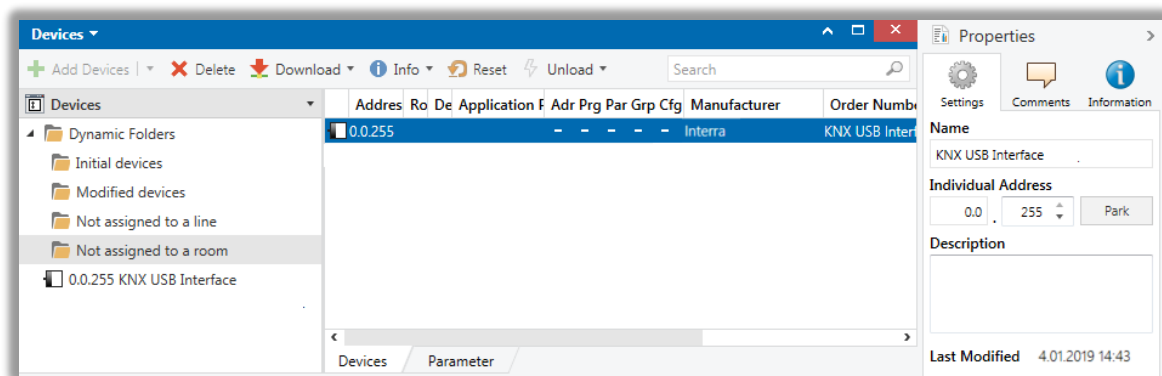


Fig 4 : Adding the Interra KNX USB Interface to ETS

CONTACT INFORMATION

THE INTERRA WEB SITE

Interra provides documentation support via our web site www.interra.com.tr. This web site is used as a means to make files and information easily available to customers. Accessible by using your favourite Internet browser, the web site contains the following information:

- Information about our products and projects.
- Overview of Interra company and values.
- Product Support: Data sheets, product manuals, application descriptions, latest software releases, ETS databases and archived software's.

Europe, Turkey

Interra

Cumhuriyet Mah. Kartal Cad. No:95/1

Simkan Plaza 34876 Kartal/İstanbul

Tel: +90 (216) 326 26 40 Fax: +90 (216) 324 25 03

Web address: <http://www.interra.com.tr/>