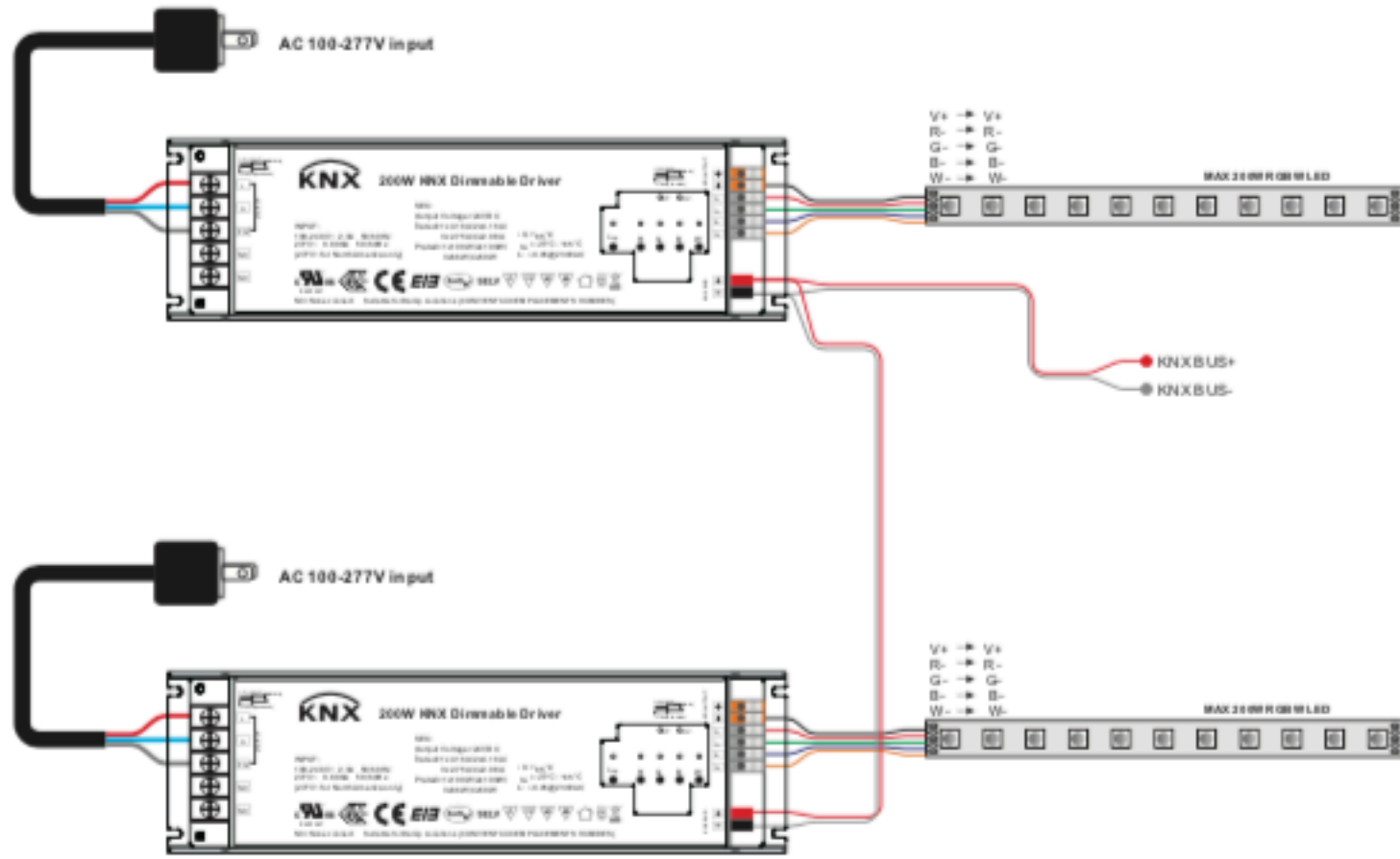


## Wiring diagram



## Product Dimension

