

LETOUR

Embedded 3-way 10A switch Specifications

Applicable Model:

Embedded 3-way 10A switch driver (LY/K0310411F)

International standard home and building control system

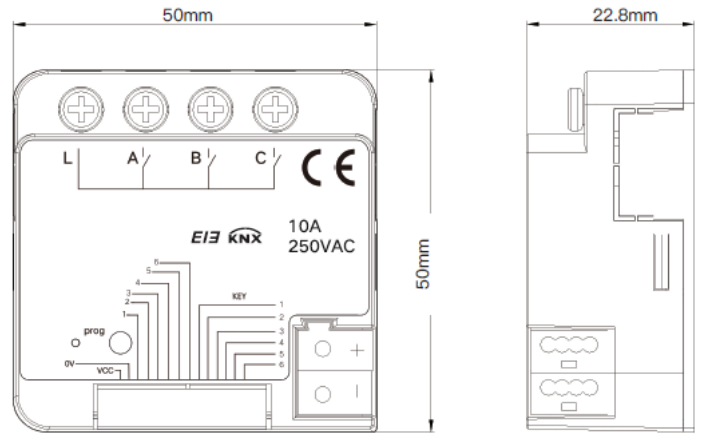
Product Features

- 3-way imported 16A magnetic latching relay, strong anti-surge current
- 6-way dry contact input. Switch and dimming functions, shutter functions, recall and store scene functions, fixed value sending, etc.
- 6-way LED indication, any switch such as electronic switch, dry contact can be connected; easy installation, traditional electrician can also work without changing the line, and can be used directly by connecting the original line
- Ultra-small size, 86-type traditional electrician bottom box installation

Technical parameter

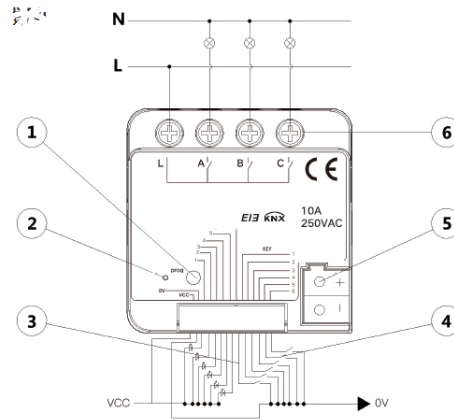
Power supply	Operating voltage, EIB	21-30V DC
	Quiescent current, EIB	<12mA
	Quiescent power consumption, EIB	<360mW
Relay output	Un rated voltage	220VAC (50/60Hz)
	load capacity	10A/70uF
	Maximum switching current	16A/250VAC
	Mechanical life	> 106Second-rate
	Electrical life	> 5x104Second-rate
	Maximum switched DC	(Resistive load) 16A/24VDC
LED output	Channel 6	Common cathode connection
	Output current	1mA
	Input channel	6 channel
Connection		Suitable for screw terminals
	EIB/KNX bus	Connection terminal connection (red/black)
	Output terminal	0.8mmØ, connect with copper posts with screw terminals
	Use wire diameter	0.5-4mm ²
	Torque	0.8Nm
Operation and Instructions	Program keys	Buttons on the front of the module for device programming
	Red indicator	Delegate enters programming mode
	Green light	Blinking green means the device is operating normally
Protection class		IP 20, EN 60 529
Temperature	Operation	- 5 °C ... + 45 °C
	Storage	- 25°C...+55°C
	Transportation	- 25 °C ... + 70 °C
Environmental conditions	Maximum air humidity <93%, except condensation	
Design	Flush Mount Equipment	
Install	Standard 86 mounting box or 60 square box	

Dimensions



Model	Size	Weight
LY/K0310411F	50 x 50 x 22.8mm	About 107g

Wiring diagram



Instruction

1. Program button
2. Program LED
3. 4. LED and button terminal block
5. KNX/EIB bus connection terminal
6. Switch output, load connection terminal

Installation Notes

This device is suitable for installation in a traditional 86-box or 60-square box. The depth of the junction box is at least 50mm, and 70mm is recommended when there is a panel, which is related to the actual wiring connection. Installation must ensure that the equipment is operated, tested, inspected, maintained and repaired correctly.

Main Tips

Installation and commissioning of equipment should only be performed by qualified and skilled electricians. The relevant standards, directives, rules and directives are strictly enforced during the planning and implementation of electrical installations.

- The device needs to be protected from moisture, dirt and damage during transportation, storage and use.
- Do not operate the device outside of specified specifications (eg, temperature range).
- The device may only be operated in a closed environment (eg junction box).

When the equipment is dirty, only use a dry cloth to clean it. If this is not enough to clean, you can use a damp cloth with a little soap solution to gently wipe. Never use alkaline agents or corrosive solvents.