

LETOUR

EIB/KNX Embedded 1-ch 1A Dimming Module Technical Specification

Applicable Model:

Embedded 1-ch 1A dimming module (LY/T0101413F)

KNX international standard home and building control system

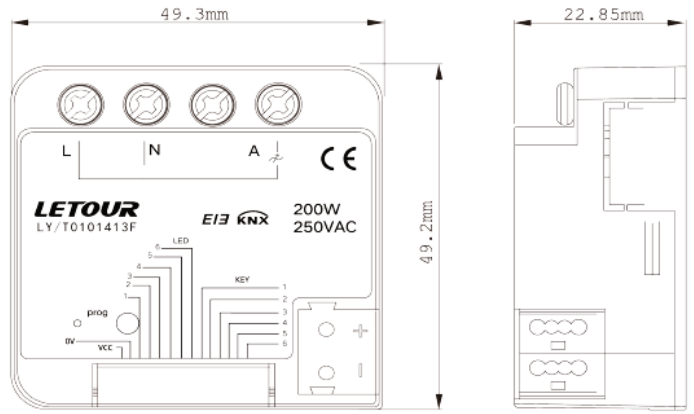
Product Features

- **Dry Contact Input Scan:**
 - Switching and dimming functions
 - Shutter function
 - Recall and store scene functions
 - Fixed value sending function
- **Dimming output:**
 - Switch dimming,
 - relative dimming,
 - brightness dimming
 - status feedback
 - Scene recalls and storage
- **LED Status indication**

Technical parameter

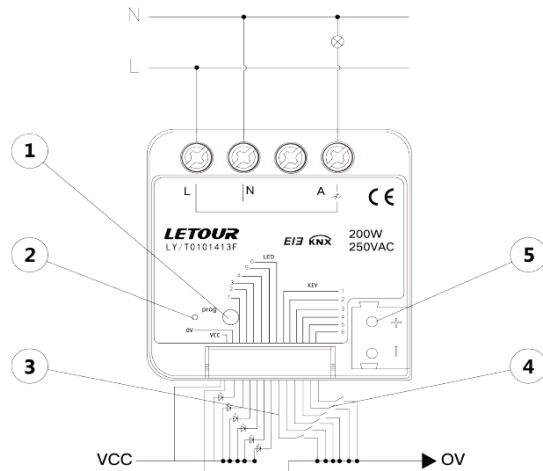
Power	Operating Voltage	21~30V DC, provided by bus
	Working current	<12mA
	Standby power consumption	<360mW
	Input	6 channels Suitable for screw terminal connections
Output	channel	1-ch dimming output
	Rated voltage	220V AC
Led output	load capacity	200W (resistive load)
	6 led indicate	Common positive connection
Connection	Output current	1mA
	EIB/KNX	Bus connection terminal (black/red)
Operation and Instructions	output	Screw terminal, wire diameter 0.5-4mm ² , torque 0.8Nm
	Programming keys and red led	The button on the front of the module is used to program the physical address, and the red indicator light indicates entering programming mode, and flashing green means the device is operating normally
Temperature range	Operation	-5 °C ... +45 °C
	Storage	-25 °C...+55 °C
	Transportation	-25 °C ... +70 °C
Environmental conditions	Humidity	<93%, Except for condensation standard 86mm mounting box or 60square box, the depth of the junction box is at least 50mm, It is recommended to use 70mm, specifically related to the actual wiring connection

Dimensions



Model	Size	Weight
LY/T0101413F	49.3 x 49.2 x 22.85mm	0.06kg

Wiring diagram



Instruction

- 1 Programming button
- 2 Programming LED, red indicates entering physical address assignment mode, green flashing indicates the device is operating normally
- 3 Led and button terminal block
- 4 Led and button terminal block
- 5 KNX/EIBbus connection terminal
- 6 Switch output, load connection terminal

Installation Notes

This device is suitable for installation in traditional 86 box or 60in square box. The depth of the junction box is at least 50mm, it is

recommended to use when there is a panel 70mm, specifically related to the actual wiring connection. Installation must ensure that the equipment is

operated, tested, inspected, maintained and repaired correctly.

Important hint

Installation and commissioning of equipment should only be performed by qualified and skilled electricians. During planning and implementation of electrical installations, relevant standards, directives, rules and instructions are strictly enforced.

- Devices need to be protected from moisture, dirt, and damage during transportation, storage, and use.
- Do not operate the device outside of specified specifications (eg, temperature range).
- The device may only operate in a closed environment (eg junction box). When the equipment is dirty, only use a dry cloth to clean it. If this is not enough to clean, you can wipe with a damp cloth dampened with a little soap solution. Never use alkaline agents or corrosive solve