

# Android 4 Inch Touch Tablet YC-SM04



## User Manual

Precautions for Use.....	1
Product Features.....	1
Package Contents.....	2
Parameter and Specification.....	3
Interface and Wiring diagram.....	4
Instructions.....	5
Problem and Solution.....	5

## Precautions for Use

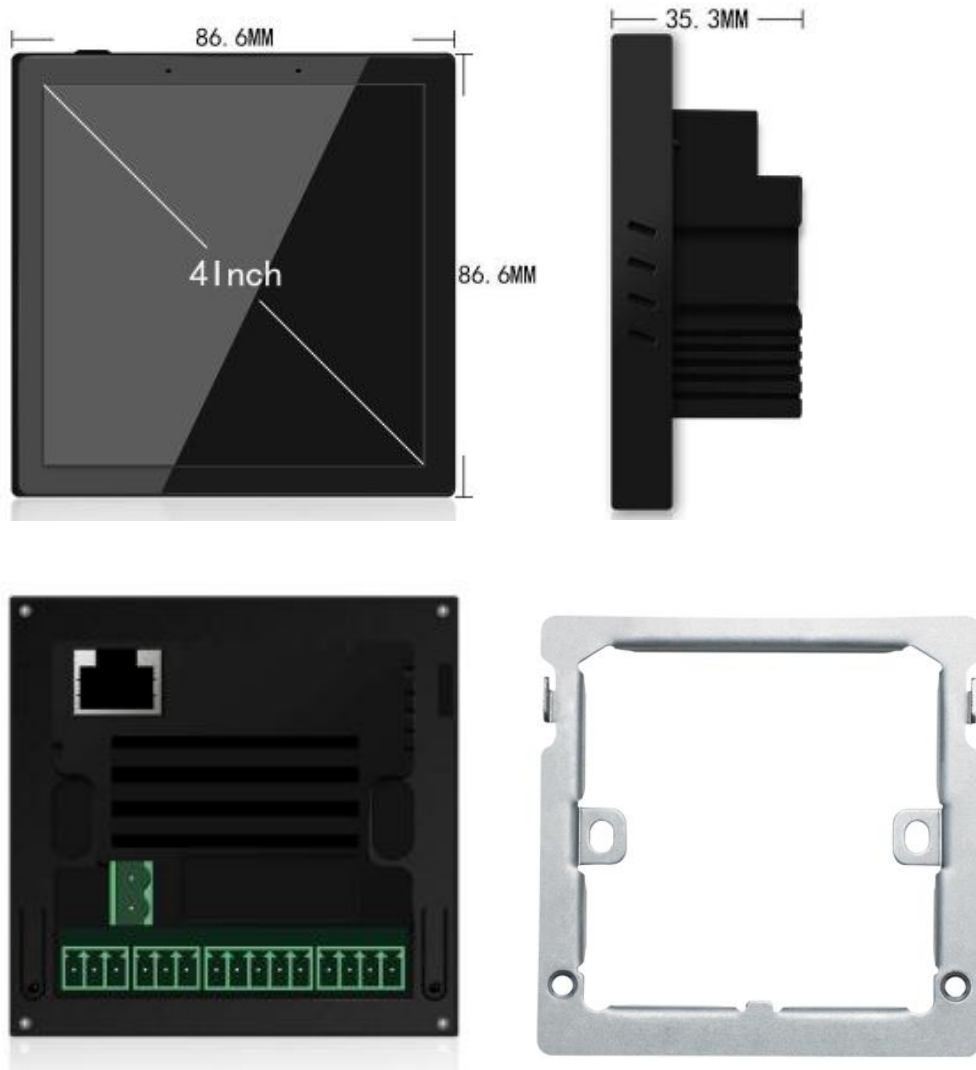
1. The equipment is for indoor use only.
2. To reduce the risk of fires or electric shock, do not expose the equipment to rain or moisture.
3. Do not subject the equipment to severe shocking
4. Prevent any foreign matter falling into the external slot.
5. Do not open the case of the equipment. There is a risk of electric shock, and there are no user serviceable parts inside. Opening the case will void your warranty.

## Product Features

1. Capacitive full-screen touch, 4-inch IPS display, 480\*480 resolution.
2. Music Player: support MP3, WAV, WMA, FLAC, DTS, APE, AC3, OGG and other audio formats.
3. Bluetooth : supports pairing of external Bluetooth devices such as mobile phones to achieve audio playback.
4. External audio input: Support external audio source input to this unit, and amplify output.
5. Time calendar: support clock and calendar display functions.
6. Setting function: setting host related functions
7. Memory card function: externally insert TF card, support 32GB TF card.
8. USB function: plug in a USB card, support 32GB USB.
9. Multi play modes: support single play, random play, sequential play, single loop, all loop play mode.
10. Display: After setting the screen , the screen can display the date and time.
11. Doorbell : Support external trigger doorbell function.
12. Support shutdown and restart.
13. Support firmware online upgrade
14. Built-in WIFI wireless connection
15. 485: can support external input control, can also output control external intelligent equipment

## Package Contents

Please make sure all of the following are present when you unpack your Android Tablets.



## Parameter and Specification

### 1. Equipment parameters:

Outer wall dimensions: 86.6 (length) x 86.6 (width) x 10.6 (thickness) mm

Overall dimensions: 86.6 (length) x 86.6 (width) x 35.3 (thickness) mm

Embedded box size: 80.5 (length) x 80 (width) x 50 (depth) mm

2. Rated power of the whole machine: 24W

3. Output power: 2x10W

4. Input voltage: AC 110V~240V 50HZ

5. Display: 4-inch IPS display

6. Resolution: 480\*480

7. CPU: Quad-core Cortex-A35 up to 1.3GHz

8. Operating memory: 1GB

9. Storage memory: 8GB

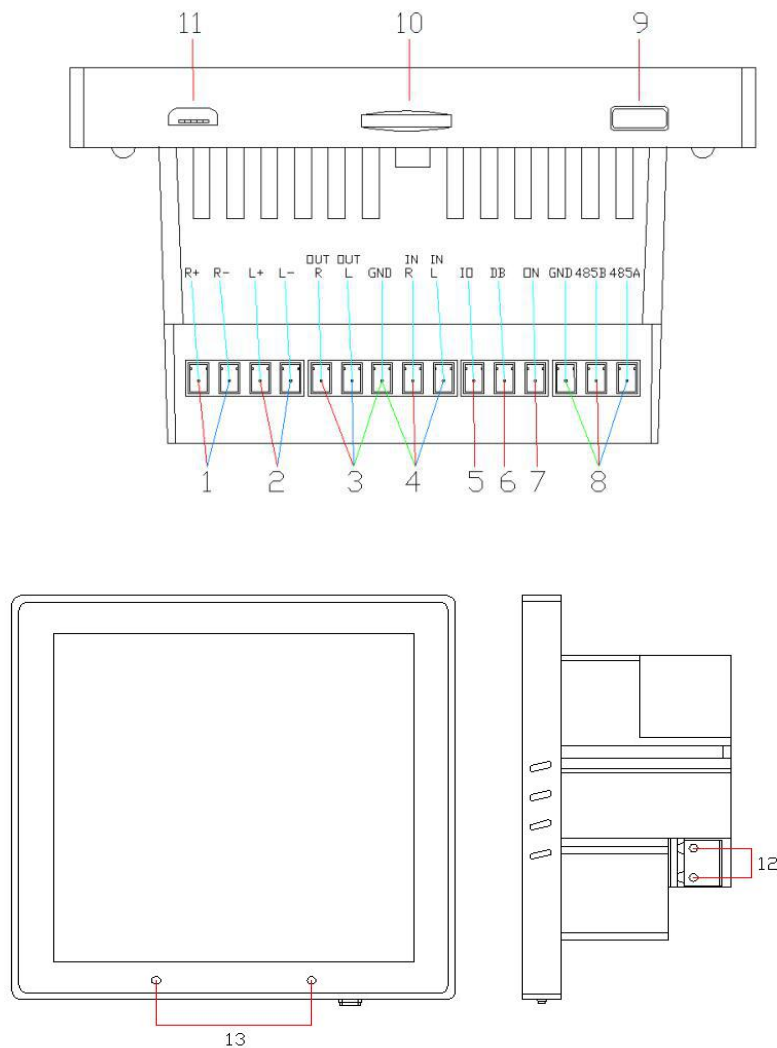
10. Rated output impedance: 8Ω

11. Support external expansion memory card: 32G (TF card)

12. Cooling method: air cooling

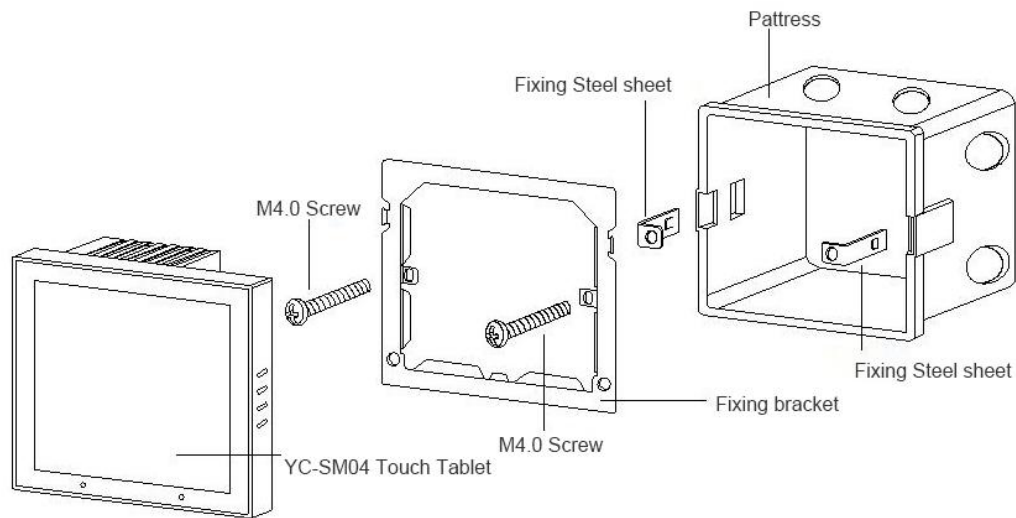
No.	Item	SPEC
1	CPU	Quad-core ARM cortex-A7 up to 1.2GHz
2	O/S	Android 7.1
3	DRAM	1GB
4	Memory	8GB
5	LCD	4"
6	LCD Resolution	4", 480*480
7	Touch screen	Capacitive touch panel
8	WiFi	802.11b/g/n
9	Ethernet	10M/100M Ethernet
10	Bluetooth	Bluetooth 4.0
11	SD Card	Support
12	RS485	RS485*1
13	Doorbell port	Support
14	AUX	Support
15	Audio format	MP2,MP3,AAC etc.
16	Power suply	AC 110~240V , 50HZ
17	interfaces	Micro USB hostx1 ;RJ45;DC;2*Mic;ON/OFF
18	Dimension	86.6mm*86.6mm*35.3mm
19	Installation method	in wall & embedded 86 box
20	Power consumption	2x10W MAX
21	The dimensions	86.6mm*86.6mm*35.3mm
22	Video/Audio format	MP3、 WAV、 WMA、 FLAC、 DTS、 APE、 AC3、 OGG

## Interface and wiring diagram



1. Speaker: speaker cable (200 cores), RVH2X100, RVH2X200 connect to SPK R+ SPK R-.
2. Speaker: speaker cable (200 cores), RVH2X100, RVH2X200 connect to SPK R+ SPK R
3. AUX Audio output: audio cable (three-core shielded cable: commonly known as microphone cable), RVVP2X0.5, RVVP2X0.75, connected to OUT R + OUT L + GND, other power amplifiers can be connected.
4. AUX Audio INPUT: audio cable (three-core shielded cable: commonly known as microphone cable), RVVP2X0.5, RVVP2X0.75, connected to OUT R + OUT L + GND, other power amplifiers can be connected.
5. IO(GPIO): reserve interface for High /Low Voltage
6. Trigger the doorbell GPIO: connect GND+DB to trigger the doorbell (reserve interface for High /Low Voltage).
7. Trigger switch GPIO: connect to GND+ON to sleep/wake up. (reserve interface for High /Low Voltage).
8. 485: Connect 485A+485B+GND to realize 485 function. (Or we can change to serial port to connect Zigbee)
9. Button: Short press to sleep off the screen, long press to choose to shut down or restart the system.
10. TF/SD CARD: Read TF card interface
11. USB: External OTG USB, with adapter cable can read U disk.
12. T power terminal: connect to AC220V power supply.
13. Microphone.

## Instructions



## Problem and solution

### Not turn on

1. Check whether the power cord is installed correctly.
2. Check whether the power switch is turned on.

### No sound

1. Check whether the speaker cable is installed correctly.
2. Check if mute is set.

### T card/U disk playback is abnormal

1. Can not be read, replace the T card/U disk to read again.
2. Check if the song format is correct.

### Cannot connect to Bluetooth

1. Whether the host is connected to other devices.
2. Whether the mobile phone is enabled to search for Bluetooth devices.

### Dead

1. Turn off the power switch and restart.