

Indoor Intercom Panel with Android OS



Product Code	ITR661-0001
Power Supply	12 V, PoE
Power Consumption	3 W (Standby Power) 10 W (Rated Power)
Display Screen	7" TFT LCD Screen , 1024 x 600
Communication	TCP/IP, SIP, VOIP, RTSP
Communication (optional)	Wi-Fi / Bluetooth Communication
CPU	1.5 GHz
Interface	RS485, siren x 1 , alarm zone x 8
Memory	1 GB SD Ram 4 GB Flash 32 GB Micro SD Card
Buttons	5 Buttons : Answer, Reject, Call, Camera Monitor, Unlock
Operating System	Android 4.4.2
Type of Protection	IP 30
Temperature Range	Operation (-5°C...55°C) Storage (-10°C...70°C)
Maximum Air Humidity	< 90 RH
Material	Acrylic Panel + ABS Casing
Colour	Black
Dimensions	220 x 166.5 x 21.5 mm (W x H x D)
Configuration	via Webpage of Indoor Monitor

DESCRIPTION

ITR661-0001 is an Indoor Panel Unit with an Android OS panel that is mainly used for making interacting with the related outdoor intercom unit. It can be connected to Interra outdoor intercom devices for audio, video communication also unlocking and monitoring features. With these functions, residents can enjoy crystal clear audio communication, can check the call records and unlock the door remotely. Besides, the ITR661-0001 indoor panel supports 8 different alarm zones with three different scenario setups. The black housing is quite proper to align with the interior design of the home.

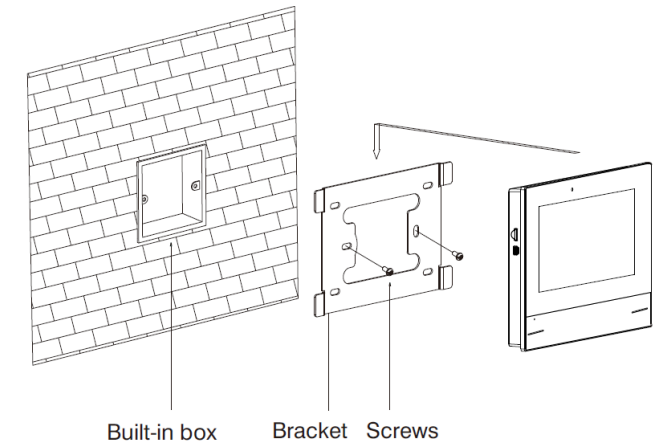
In addition, the ITR661-0001 delivers the ultimate touch screen experience in a space-saving design featuring an amazing 7" with capacitive touch feature. It complies with SIP, VOIP standard for easy integration in every SIP, VOIP capable device.

FUNCTIONS

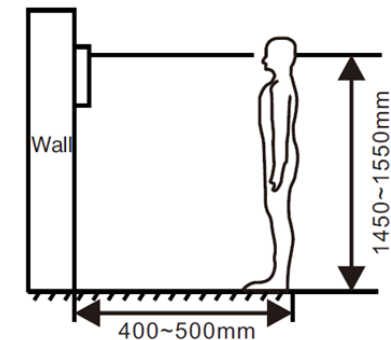
ITR661-0001 is an Indoor Panel Unit with an Android OS panel that is mainly used for making interacting with the related outdoor intercom unit. ITR661-0001 product features are described below :

- **VOIP:** Support video call, camera monitor, unlock, VOIP communication and check the call records.
- **Security:** It supports 8 different regions with 3 different scenarios.
- **Operating system:** Android 4.4.2
- **Automation Controls :** Automation system can be controlled with Icontrol.
- Monitoring the outdoor intercom unit camera and user interface customization.
- Monitoring up to 10 cameras via RTSP with Icontrol.
- Support Android systems applications.

INSTALLATION



The following figure, shows a proper location of the installation :



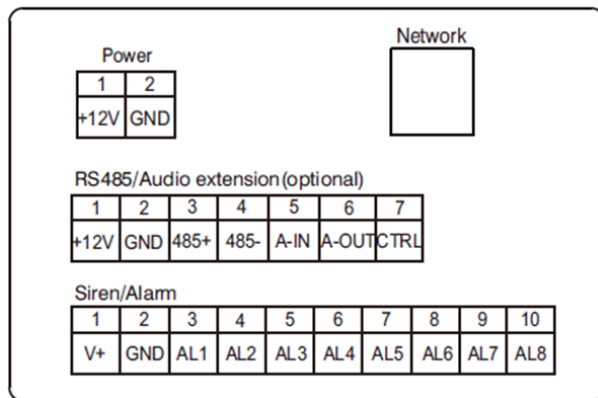
! During the installation, the camera should be 1450-1550 mm above the ground. The camera tether for photographing the human face should be the top priority.

CONNECTION DIAGRAM & FEATURES

The following subtitles describe the related connection parts of the ITR661-0001 indoor touch panel : System Diagram, Power, Siren/Alarm, RS-485/Audio Extension, Network.

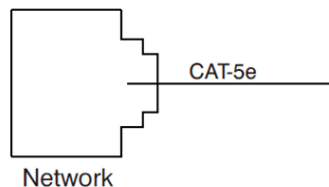
System Diagram:

The following figures show the connectors of the ITR661-0001.



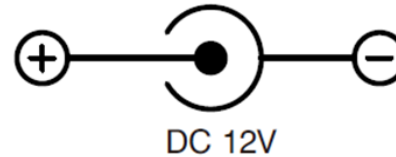
Network:

Connect with the outdoor panel, indoor monitor or other network equipment by the network switch. When an indoor monitor has a PoE function, the interface can supply power by connecting with a PoE network switch. If the network interface has a 12V power supply, pin No. 4 and 5 of the RJ45 interface should connect with +12 of the power interface, and pin No. 7 and 8 should connect with GND of the power interface.



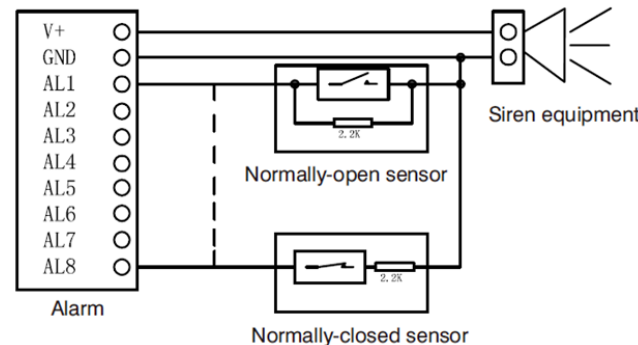
Power:

Power input interface connects with 12 V power adapter. The following figure shows the connection diagram.



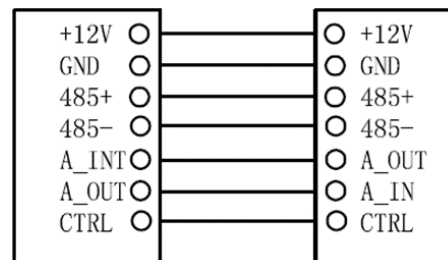
Siren/Alarm:

When the alarm sensor is triggered, the output power is 12 V / 100 mA. Each interface of the alarm zone can be connected with a normally open or normally-closed switch.



RS-485/Audio Extension:

Connect with the outdoor panel, management centre, indoor monitor or other network equipment by the network switch. Supply power by PoE network switch if it is with PoE function.



TROUBLESHOOTING

Some common failures and troubleshooting methods are listed for your reference. In case of failure which cannot be repaired, do not disassemble or repair the product by yourself. Please contact the after-sales technical service department.

The indoor monitor cannot start up or power off automatically.



- Check whether it has a power failure, and power it on again.

The indoor monitor display screen is too dim.



- Check whether the brightness and contrast settings of screen are correct.

No sounding during the communication



- Check whether the indoor monitor is set as mute mode, or the volume is set to the lowest value.

The indoor monitor cannot monitor the outdoor panel



- Another user is using the system, so you can use it once he finished the operation.

Multimedia files cannot be played normally.



- Check whether the system supports the file format. Please refer to the multimedia setting for details.

No response when clicking indoor monitor display screen



- Press the “Unlock” button for 5s, or slowly slide horizontally or vertically on the LCD to make touchscreen calibration. It needs to be calibrated twice.

Touchscreen responses slowly or cannot make calibration



- Ensure the finger is dry and clean when clicking the touch screen
- Restart the device to clear any temporary software error.